

# Tranquility 1 MTDS-32

72" x 42" x 20.75"

## GENERAL SPECIFICATIONS:

<b>Tub Size</b>	72" x 42" x 20.75"
<b>Bathing Well</b>	length: 60.25" top / 49" bottom width: 31.25" top / 22" bottom depth at overflow: 17"
<b>Plumbed Weight</b>	185 lbs / 83.99 kg
<b>Soaker Weight</b>	120 lbs / 54.48 kg
<b>Average Fill</b>	54 gal to above jet level
<b>Maximum Fill</b>	91 gal to overflow
<b>Undermountable</b>	No

NOTE: Filling this tub to the maximum may require an above average size or dedicated water heater.

NOTE: Not recommended as a tub / shower combination.

## ELECTRICAL SPECIFICATIONS:

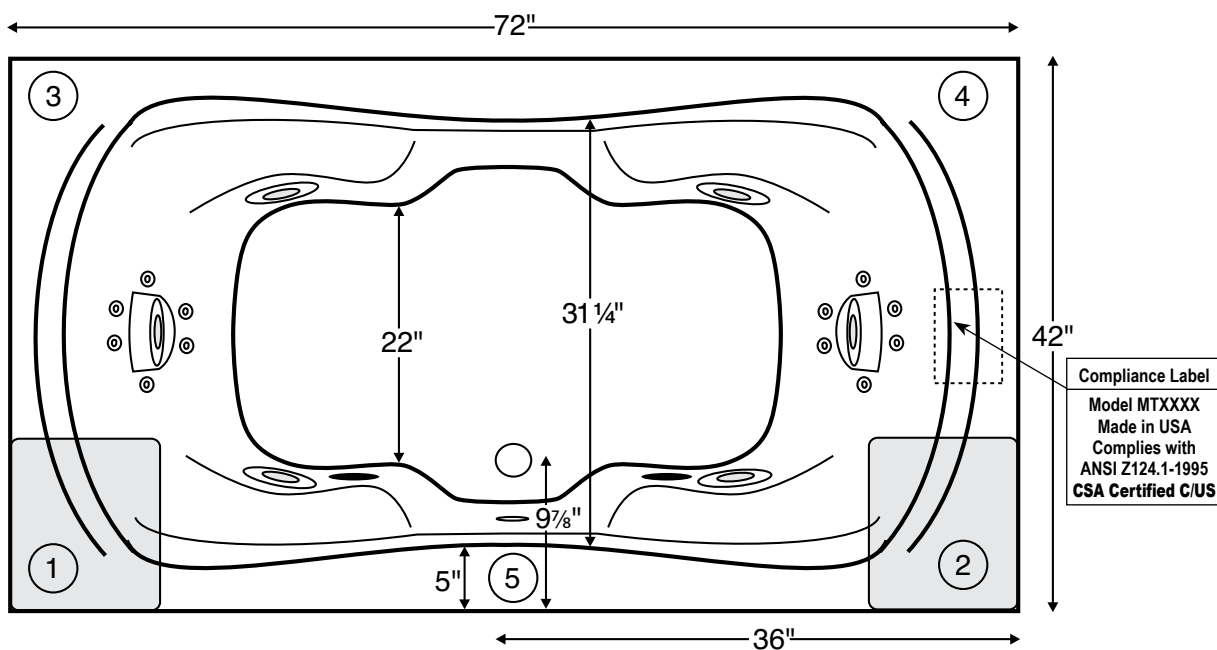
<b>Required Electrical Service</b>	110 Volt
<b>Air Bath or Standard Whirlpool</b>	1-15 amp GFCI
<b>Standard Whirlpool w/Air</b>	2-15 amp GFCI
<b>Ultra-Therapy</b>	2-20 amp GFCI
<b>Ultra-Therapy w/Air</b>	2-20 amp GFCI

CSA Certified C/US; NAHB Certified; ANSI Z124.1 for plastic tubs and ANSI 112.019.7 for whirlpool components.

NOTE: See electrical specifications page for electrical requirements of options.



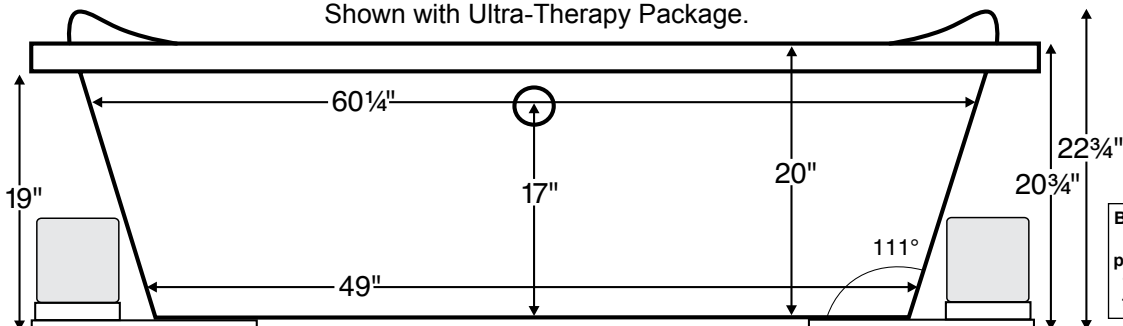
Shown with Standard Therapy Package and optional Fill-Flush.



**Compliance Label**  
 Model MTXXXX  
 Made in USA  
 Complies with  
 ANSI Z124.1-1995  
 CSA Certified C/US

Numbered locations on tub deck are possible Fill-Flush, Hand-Held Shower or Breda locations.  
 Rear soapdish will be plugged with Ultra-Therapy Package.

Shown with Ultra-Therapy Package.



Before ordering or installing, please consider future access to equipment.

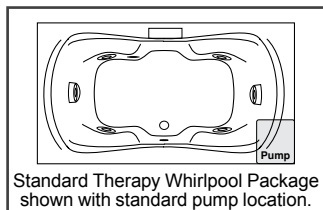
**IMPORTANT: If you are planning to use a glass enclosure, MTI must be advised when ordering for possible relocation of controls.**

**INSTALLATION:** Add bedding compound to fully level and support bottom of tub. Skirting and/or pre-leveled frame will increase standard tub height up to 3". All tubs with pre-leveled foam base are designed to rest on the floor without additional bedding compound and will add approximately 2-3" to standard tub height. Please measure tub on-site before building tub decking. Measurements are ± 1/2" and are subject to change without notice. Measurements herein supersede all others published prior to publication date shown below. Suction and control locations may vary. Specifications and configurations are subject to change without notice.



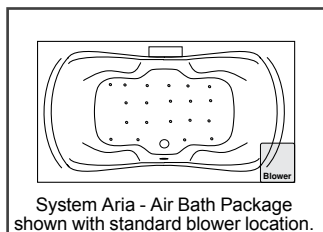
# Tranquility 1 MTDS-32 72" x 42" x 20.75"

# HYDROTHERAPY PACKAGES



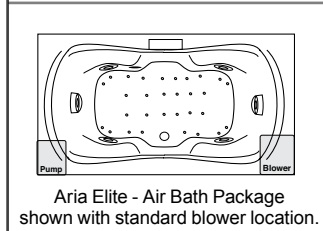
Soaker
<b>SEE MTDS-32S</b>

Whirlpool Packages	
<b>Standard Therapy</b> 6 point-massage whirlpool jets, 2-bhp pump	<b>Ultra-Therapy</b> 6 point-massage whirlpool jets, 12 micro-jets with Tsubo-massage, 2 2-bhp pumps, inline heater
<b>Part # P32</b>	<b>\$3,310</b>
<b>Part # P32U</b>	<b>\$5,522</b>



Air Bath Packages
<b>SEE MTDS-32S</b>

Air Bath / Whirlpool Combination Packages	
<b>System Aria - Air/Whirlpool</b> 6 point-massage whirlpool jets, 2-bhp pump, 20 air jets, heated air blower, Aromatherapy, pre-leveled foam base*	<b>System Aria - Air/Whirlpool Ultra</b> 6 point-massage whirlpool jets, 12 micro-jets with Tsubo-massage, 2 2-bhp pumps, inline heater, 20 air jets, heated air blower, Aromatherapy, pre-leveled foam base*
<b>Part # AW32</b>	<b>\$5,654</b>
<b>Part # AU32</b>	<b>\$7,770</b>



Air Bath Packages
<b>SEE MTDS-32S</b>

<b>Aria Elite - Air/Whirlpool</b> 6 point-massage whirlpool jets, 2-bhp pump, 30 air jets, heated air blower, Chromatherapy using 2 LED lights, Aromatherapy, pre-leveled foam base*	<b>Aria Elite - Air/Whirlpool Ultra</b> 6 point-massage whirlpool jets, 12 micro-jets with Tsubo-massage, 2 2-bhp pumps, inline heater, 30 air jets, heated air blower, Chromatherapy using 2 LED lights, Aromatherapy, pre-leveled foam base*
<b>Part # AEAP32</b>	<b>\$7,064</b>
<b>Part # AEAP32U</b>	<b>\$9,273</b>

**NOTE:** Above jet placements for illustration only.

\* Foam base adds 2-3" to overall tub height.

## TUB OPTIONS

- Colors
  - White (CWH), Bone (CBN), Biscuit (CBS), Almond (CAL) STD
  - Color Upgrade - See p. D-1 for available colors \$245
- Quick Ship/Priority. (QSPRI) Call for availability. \$260

## COMPLEMENTARY THERAPIES

- Thermaltherapy (see p. D-3)
  - Radiance® (RAD100) \$999
  - Inline Heater for Whirlpools (HTI) \$466
- Chromatherapy: Digitally controlled LED lighting (LE) (see p. D-5) \$499
- Audiotherapy: Stereo H<sub>2</sub>O® (STEREOH2O) (see p. D-6) \$999

## ACCESSORIES & HARDWARE

- Virtual Spout (FPMJ) (see p. D-8) \$212
- Grab Bars (Other finishes available see p. D-9)
  - Acrylic Grab Bars, Curved (one 12" on back wall of tub):** \$111
    - White (GBCW); Bone (GBCB); Almond (GBCAL); Biscuit (GBCBS)
  - Metal Grab Bars, Modern Straight (one 9" on back wall of tub):** \$126
    - Chrome (GBMS9C); Brushed Nickel (GBMS9BN)
  - Metal Grab Bars, Curved (one 9" on back wall of tub):** \$126
    - Chrome (GBMCC); Brushed Nickel (GBMCCBN);
- Drain & Overflow Kits (Other finishes available see p. D-10)
  - Lift & Turn - Chrome (WOC) \$86
  - Lift & Turn - Brushed Nickel (WOBN) \$160
  - Cable Driven - Chrome (WOCB) \$258
  - Cable Driven - Brushed Nickel (WOCDBN) \$280
  - Toe-Tap - Chrome (WOTTC) \$194
  - Toe-Tap - Brushed Nickel (WOTTCBN) \$202
- Textured Non-Slip Bottom (TXTBTM) meets ASTM F-462-1994 \$63
- Pillows: various shapes and sizes (see p. D-13) From \$110
- Hand-Held Showers, factory-installed (see p. D-16) From \$750

## ADDITIONAL ACCESSORIES & HARDWARE FOR WHIRLPOOLS ONLY

- Trim Kits - Factory-Installed (Must be specified at time of tub order) See p. D-12
  - Standard Therapy - Chrome (TRC) \$185
  - Standard Therapy - Brushed Nickel (TRBN); Brass (TRBR) \$387
  - Standard Therapy - Special Finishes (TRSF); \$1,094
  - Ultra Therapy - Chrome (TRCU) \$343
  - Ultra Therapy - Brushed Nickel (TRBNU); Brass (TRBRU) \$647
  - Ultra Therapy - Special Finish (TRSFU) \$1,790

- Neck Jet Pillows: Rectangular (PINJPR); Oval (PINJPO) \$350
- Pump Upgrade - 3 bhp (PUMP3) \$223
- Additional Point-Massage Jets (EJ) \$235
- Rotary Jets - Can be substituted for Point-Massage Jets (max 2) See p. D-11
- Micro-Jets (see p. D-11) From \$289
- Low Water Sensor (LWS) (see p. D-15) \$389

## WHIRLPOOL CLEANING SYSTEMS (see p. D-20)

- Fill-Flush® without valves (FFSO)\* \$559
- Simple Touch® without valves (FFE)\* \$640
- \* Important: When ordering Fill-Flush or Simple Touch, a backflow prevention device may be required. See p. D-24 for details.
- Ozonator Bath Sanitation System (OZONE) (see p. D-25) \$499

## INSTALLATION AIDS

- Tile Flange - must specify flange location(s) on order (see p. D-26)
  - Factory-Installed 3 sides - rigid ABS (TFK3) \$168
  - Field-Installed 3 sides - rigid ABS (TFKNI) \$82
- Pre-Levelled Foam Base (PLFOAM) (see p. D-27) \$143
- Pre-Levelled Frame and Foam Base (PLF) \$348
- Pre-Levelled Frame and Foam Base with Skirting
  - Choose from a skirting style listed below. See p. D-28 for more information.
  - Acrylic Traditional with Raised Panels; one-piece (FSKAO6) \$633
  - Acrylic Traditional with Removable Panels (FSKAR6) \$803
  - Acrylic Contemporary Flat Panel; one-piece (FSKFO6) \$633
  - Acrylic Contemporary Euro-Style w/Removable Panels (FSKE6) \$803
  - Acrylic Skirting Color Upgrade (see p. D-1) \$245
  - Paintable Wood with Removable Panels (FSKW6) \$556
  - Stainable Cherry Wood with Removable Panels (FSKCH6) \$1,541
  - Stainable Oak or Maple Wood with Removable Panels (FSKO6) \$1,332

## RECOMMENDED ADDITIONAL PRODUCTS

- Teak Accessories** (See Sec. E)
  - Teak Bath Mat (TK-MAT3018) (custom sizes also available) \$329