

Tranquility 1 MTDS-32S

72" x 42" x 20.75"

GENERAL SPECIFICATIONS:

Tub Size	72" x 42" x 20.75"
Bathing Well	length: 60.25" top / 49" bottom width: 31.25" top / 22" bottom depth at overflow: 17"
Soaker Weight	120 lbs / 54.48 kg
Maximum Fill	91 gal to overflow
Undermountable	No

NOTE: Filling this tub to the maximum may require an above average size or dedicated water heater.

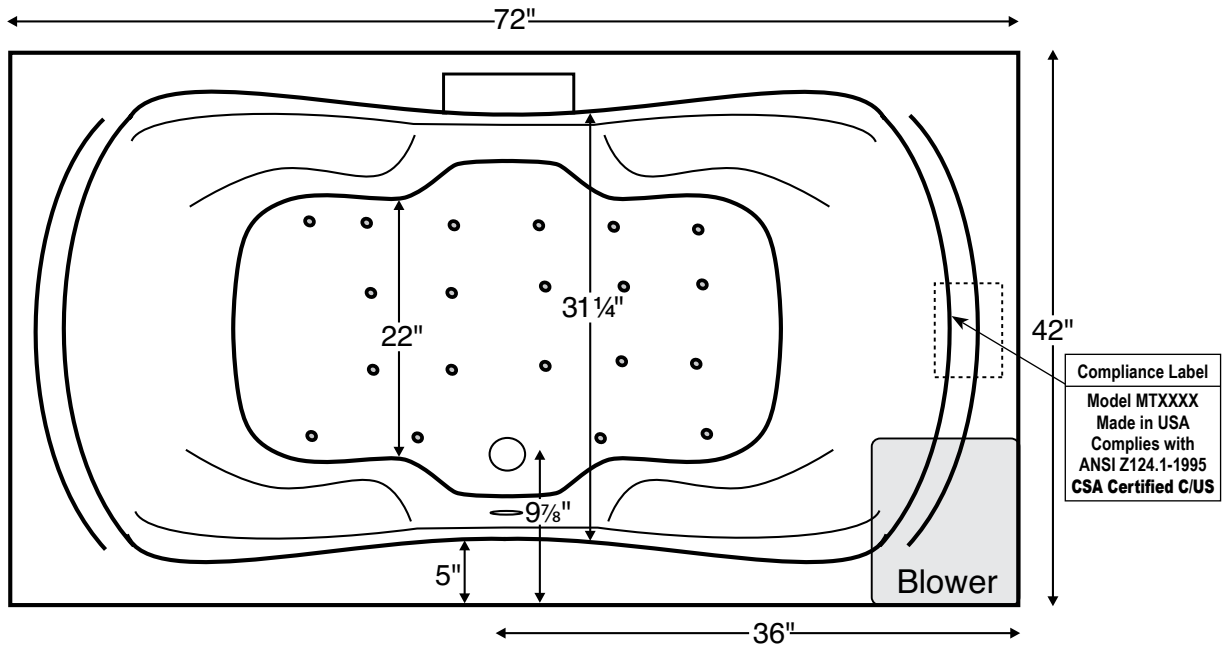
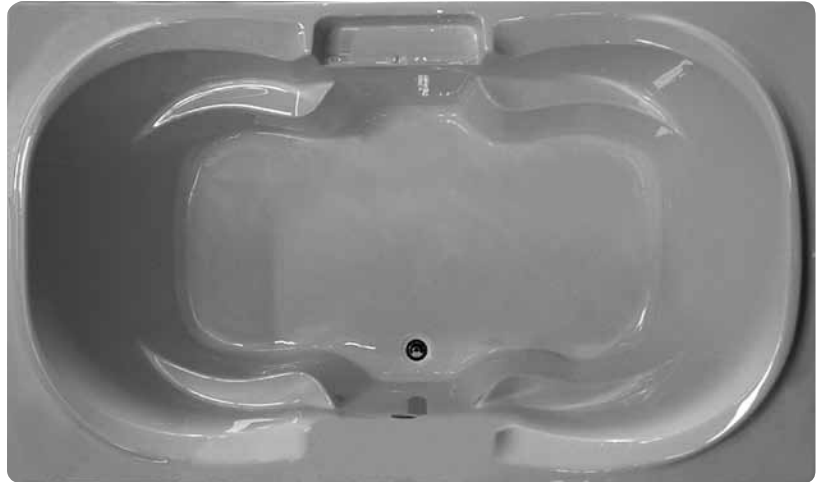
NOTE: Not recommended as a tub / shower combination.

ELECTRICAL SPECIFICATIONS:

Required Electrical Service	110 Volt
Air Bath	1-15 amp GFCI

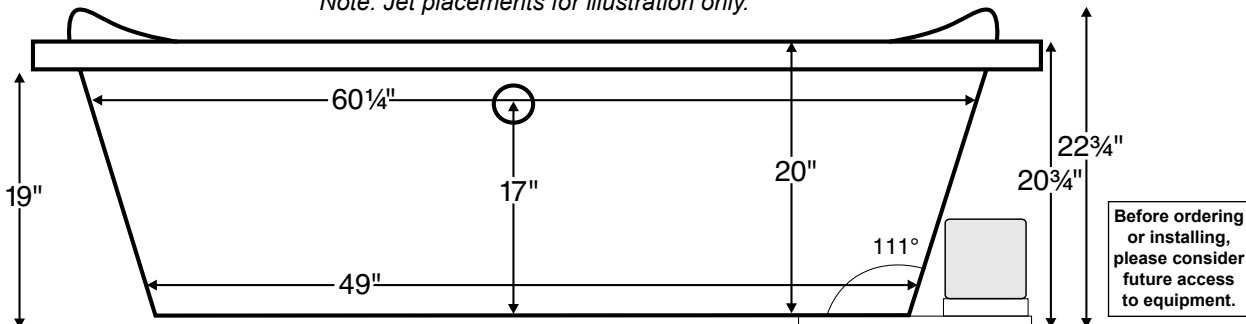
CSA Certified C/US; NAHB Certified; ANSI Z124.1 for plastic tubs and ANSI 112.19.7 for whirlpool components.

NOTE: See electrical specifications page for electrical requirements of options.



Shown with Air Bath Package.

Note: Jet placements for illustration only.



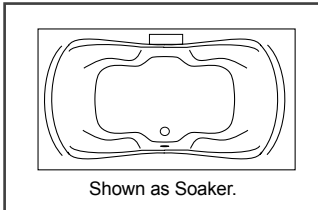
IMPORTANT: If you are planning to use a glass enclosure, MTI must be advised when ordering for possible relocation of controls.

INSTALLATION: Add bedding compound to fully level and support bottom of tub. Skirting and/or pre-leveled frame will increase standard tub height up to 3". All tubs with pre-leveled foam base are designed to rest on the floor without additional bedding compound and will add approximately 2-3" to standard tub height. Please measure tub on-site before building tub decking. Measurements are $\pm 1/2"$ and are subject to change without notice. Measurements herein supersede all others published prior to publication date shown below. Suction and control locations may vary. Specifications and configurations are subject to change without notice.



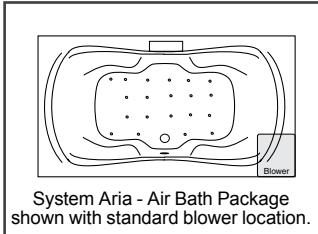
Tranquility 1 MTDS-32S 72" x 42" x 20.75"

HYDROTHERAPY PACKAGES



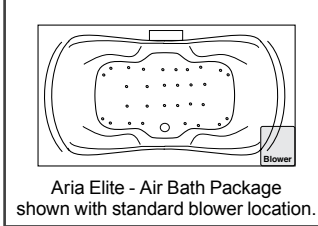
Soaker	
Soaker	
Part # S32S	\$1,692

Whirlpool Packages	
SEE MTDS-32	SEE MTDS-32



Air Bath Packages	
System Aria Bath 20 air jets, heated air blower, Aromatherapy, pre-leveled foam base*	
Part # AST32S	\$3,896

Air Bath / Whirlpool Combination Packages	
SEE MTDS-32	SEE MTDS-32



Aria Elite Bath 30 air jets, heated air blower, Chromatherapy using 2 LED lights, Aromatherapy, pre-leveled foam base*	
Part # AE32S	\$5,611

SEE MTDS-32	SEE MTDS-32

NOTE: Above jet placements for illustration only.

** Foam base adds 2-3" to overall tub height.*

TUB OPTIONS

- Colors
 - White (CWH), Bone (CBN), Biscuit (CBS), Almond (CAL) STD
 - Color Upgrade - See p D-1 for available colors \$245
 - Quick Ship/Priority. (QSPRI) Call for availability. \$260
- COMPLEMENTARY THERAPIES**
- Thermaltherapy (see p. D-3)
 - Radiance® (RAD100) \$999
 - Inline Heater with Pump for Soaker or Air Baths (HTISOAK) \$699
 - Chromatherapy: Digitally controlled LED lighting (LE) (see p. D-5) \$499
 - Audiotherapy: Stereo H₂O® (STEREOH2O) (see p. D-6) \$999
- ACCESSORIES & HARDWARE**
- Virtual Spout (FPMJ) (see p. D-8) \$212
 - Grab Bars (Other finishes available see p. D-9)
 - Acrylic Grab Bars, Curved (one 12" on back wall of tub):* \$111
 - White (GBCW); Bone (GBCB); Almond (GBCAL);
 - Biscuit (GBCBS)
 - Metal Grab Bars, Modern Straight (one 9" on back wall of tub):* \$126
 - Chrome (GBMS9C); Brushed Nickel (GBMS9BN)
 - Metal Grab Bars, Curved (one 9" on back wall of tub):* \$126
 - Chrome (GBMCC); Brushed Nickel (GBMCCBN);
 - Drain & Overflow Kits (Other finishes available see p. D-10)
 - Lift & Turn - Chrome (WOC) \$86
 - Lift & Turn - Brushed Nickel (WOBN) \$160
 - Cable Driven - Chrome (WOC) \$258
 - Cable Driven - Brushed Nickel (WOCDBN) \$280
 - Toe-Tap - Chrome (WOTTC) \$194
 - Toe-Tap - Brushed Nickel (WOTTBN) \$202
 - Textured Non-Slip Bottom (TXTBTM) meets ASTM F-462-1994 \$63
 - Pillows: various shapes and sizes (see p. D-13) From \$110
 - Hand-Held Showers, factory-installed (see p. D-16) From \$750

INSTALLATION AIDS

- Tile Flange - *must specify flange location(s) on order (see p. D-26)*
 - Factory-Installed 3 sides - rigid ABS (TFK3) \$168
 - Field-Installed 3 sides - rigid ABS (TFKNI) \$82
- Pre-Leveled Foam Base (PLFOAM) (see p. D-27) \$143
- Pre-Leveled Frame and Foam Base (PLF) \$348
- Pre-Leveled Frame and Foam Base with Skirting
 - Choose from a skirting style listed below. See p. D-28 for more information.*
 - Acrylic Traditional with Raised Panels; one-piece (FSKAO6) \$633
 - Acrylic Traditional with Removable Panels (FSKAR6) \$803
 - Acrylic Contemporary Flat Panel; one-piece (FSKFO6) \$633
 - Acrylic Contemporary Euro-Style w/Removable Panels (FSKE6) \$803
 - Acrylic Skirting Color Upgrade (see p. D-1) \$245
 - Paintable Wood with Removable Panels (FSKW6) \$556
 - Stainable Cherry Wood with Removable Panels (FSKCH6) \$1,541
 - Stainable Oak or Maple Wood with Removable Panels (FSKO6) \$1,332

RECOMMENDED ADDITIONAL PRODUCTS

- Teak Accessories** (See Sec. E)
- Teak Bath Mat (TK-MAT3018) (custom sizes also available) \$329