

Elan Vital MTDS-45

71.25" x 35.75" x 22.25"

GENERAL SPECIFICATIONS:

Tub Size	71.25" x 35.75" x 22.25"
Bathing Well	length: 60" top / 44" bottom width: 26" top / 21" bottom depth at overflow: 19.5"
Plumbed Weight	185 lbs / 83.99 kg
Soaker Weight	100 lbs / 45.40 kg
Average Fill	30 gal to above jet level
Maximum Fill	80 gal to overflow
Undermountable	No

NOTE: Filling this tub to the maximum may require an above average size or dedicated water heater.

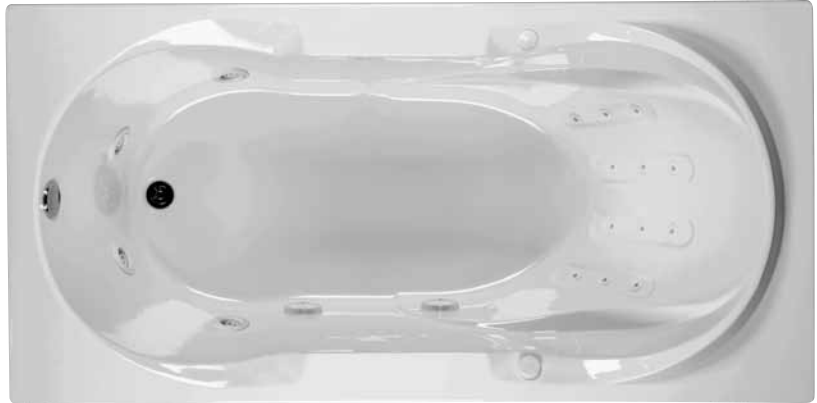
NOTE: Not recommended as a tub / shower combination.

ELECTRICAL SPECIFICATIONS:

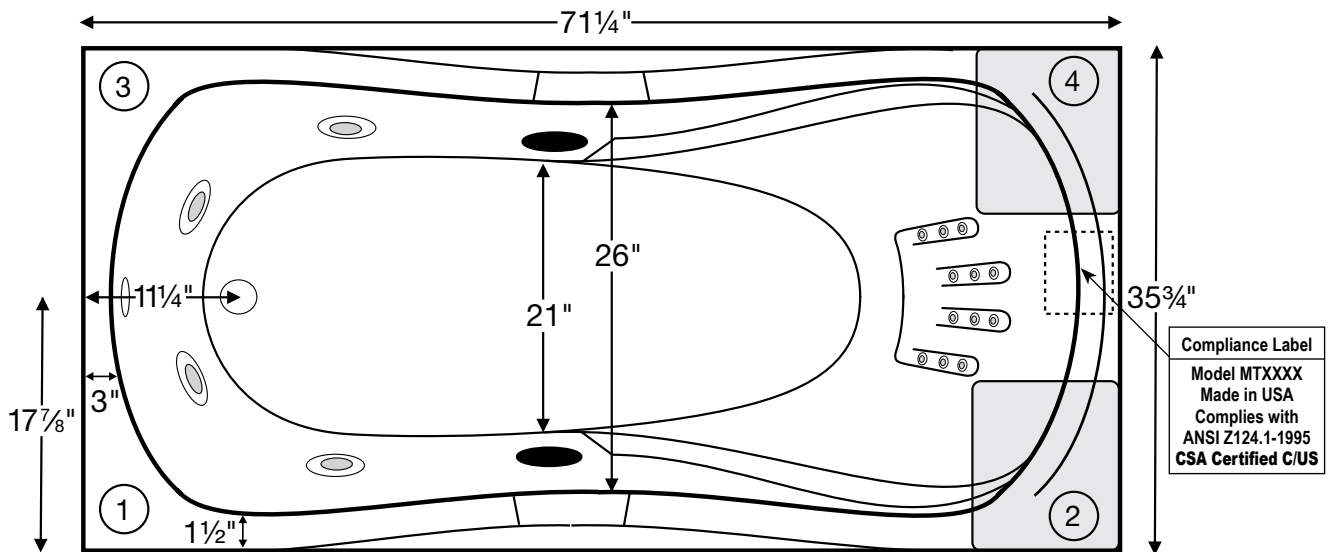
Required Electrical Service	110 Volt
Ultra-Therapy	2-20 amp GFCI
Ultra-Therapy w/Air	2-20 amp GFCI

CSA Certified C/US; NAHB Certified; ANSI Z124.1 for plastic tubs and ANSI 112.19.7 for whirlpool components.

NOTE: See electrical specifications page for electrical requirements of options.

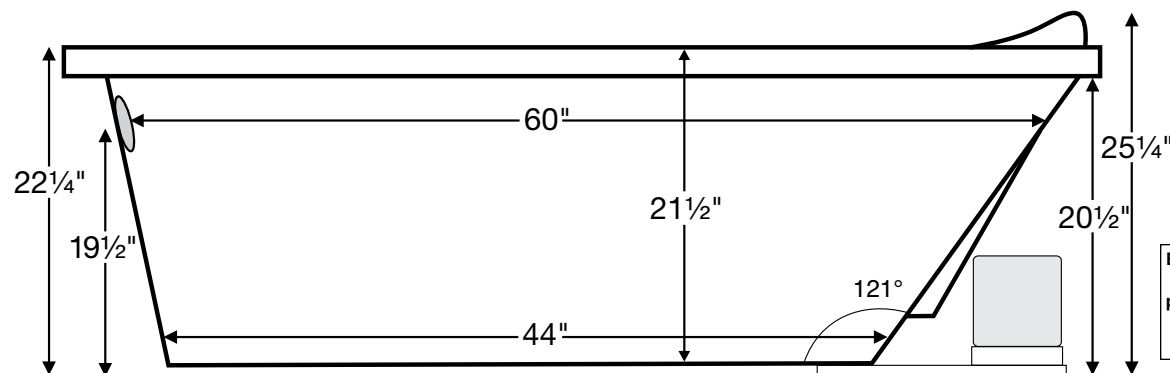


Shown with Ultra-Therapy Package.



Numbered locations on tub deck are possible Fill-Flush, Hand-Held Shower or Breda locations.

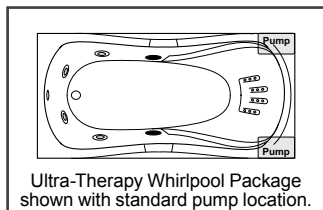
Shown with Ultra-Therapy Package.



IMPORTANT: If you are planning to use a glass enclosure, MTI must be advised when ordering for possible relocation of controls.

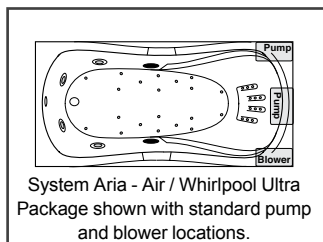
INSTALLATION: Add bedding compound to fully level and support bottom of tub. Skirting and/or pre-leveled frame will increase standard tub height up to 3". All tubs with pre-leveled foam base are designed to rest on the floor without additional bedding compound and will add approximately 2-3" to standard tub height. Please measure tub on-site before building tub decking. Measurements are ± 1/2" and are subject to change without notice. Measurements herein supersede all others published prior to publication date shown below. Suction and control locations may vary. Specifications and configurations are subject to change without notice.





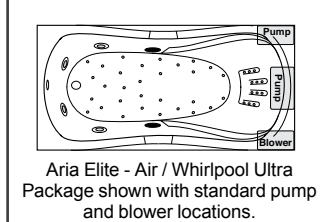
Soaker
SEE MTDS-45S

Whirlpool Packages	
SEE MTDS-45S	Ultra-Therapy 4 full-size whirlpool jets (2 rotary foot jets and 2 point-massage jets), 12 micro-jets with Tsubo-massage, 2 2-bhp pumps, inline heater
Part # P45U	\$5,453



Air Bath Packages
SEE MTDS-45S

Air Bath / Whirlpool Combination Packages	
SEE MTDS-45S	System Aria - Air/Whirlpool Ultra 4 full-size whirlpool jets, (2 rotary foot jets and 2 point-massage jets), 12 micro-jets with Tsubo-massage, 2 2-bhp pumps, inline heater, 20 air jets, heated air blower, Aromatherapy, pre-leveled foam base*
Part # AU45	\$7,798



Air Bath Packages
SEE MTDS-45S

SEE MTDS-45S	Aria Elite - Air/Whirlpool Ultra 4 full-size whirlpool jets, (2 rotary foot jets and 2 point-massage jets), 12 micro-jets with Tsubo-massage, 2 2-bhp pumps, inline heater, 30 air jets, heated air blower, Chromatherapy using 2 LED lights, Aromatherapy, pre-leveled foam base*
Part # AEAP45U	\$9,131

NOTE: Above jet placements for illustration only.

** Foam base adds 2-3" to overall tub height.*

TUB OPTIONS

- Colors
 - White (CWH), Bone (CBN), Biscuit (CBS), Almond (CAL) STD
 - Color Upgrade - See p. D-1 for available colors \$145
 - Quick Ship/Priority. (QSPRI) Call for availability. \$260
- COMPLEMENTARY THERAPIES**
- Thermaltherapy: Radiance® (RAD100) (See p. D-3) \$999
 - Chromatherapy: Digitally controlled LED lighting (LE) (see p. D-5) \$499
 - Audiotherapy: Stereo H₂O® (STEREOH2O) (See p. D-6) \$999
- ACCESSORIES & HARDWARE**
- Virtual Spout (FPMJ) (see p. D-8) \$212
 - Grab Bars (Other finishes available see p. D-9)
 - Acrylic Grab Bars, Curved 9" (set of 2): \$221
 - White (GBCW); Bone (GBCB); Almond (GBCAL);
 - Biscuit (GBCBS)
 - Metal Grab Bars, Modern Straight 9" (set of 2): \$251
 - Chrome (GBMS9C); Brushed Nickel (GBMS9BN)
 - Metal Grab Bars, Curved 9" (set of 2): \$251
 - Chrome (GBMCC); Brushed Nickel (GBMCCBN);
 - Drain & Overflow Kits (Other finishes available see p. D-10)
 - Lift & Turn - Chrome (WOC) \$86
 - Lift & Turn - Brushed Nickel (WOBN) \$160
 - Cable Driven - Chrome (WOC D) \$258
 - Cable Driven - Brushed Nickel (WOCDBN) \$280
 - Toe-Tap - Chrome (WOTTC) \$194
 - Toe-Tap - Brushed Nickel (WOTTBN) \$202
 - Textured Non-Slip Bottom (TXTBTM) meets ASTM F-462-1994 \$63
 - Pillows: various shapes and sizes (see p. D-13) From \$110
 - Hand-Held Showers, factory-installed (see p. D-16) From \$750

- ADDITIONAL ACCESSORIES & HARDWARE FOR WHIRLPOOLS ONLY**
- Trim Kits - Factory-Installed (Must be specified at time of tub order) See p. D-12
 - Ultra Therapy - Chrome (TRCU) \$343
 - Ultra Therapy - Brushed Nickel (TRBNU); Brass (TRBRU) \$647
 - Ultra Therapy - Special Finish (TRSFU) \$1,790
 - Neck Jet Pillows: Rectangular (PINJPR); Oval (PINJPO) \$350
 - Pump Upgrade - 3 bhp (PUMP3) \$223
 - Additional Point-Massage Jets (EJ) \$235
 - Rotary Jets - Can be substituted for Point-Massage Jets (max 2) See p D-11
 - Micro-Jets (see p. D-11) From \$289
 - Low Water Sensor (LWS) (see p. D-15) \$389

WHIRLPOOL CLEANING SYSTEMS (see p. D-20)

- Fill-Flush® without valves (FFSO)* \$559
 - Simple Touch® without valves (FFE)* \$640
- * Important: When ordering Fill-Flush or Simple Touch, a backflow prevention device may be required. See p. D-24 for details.*
- Ozonator Bath Sanitation System (OZONE) (see p. D-25) \$499

INSTALLATION AIDS

- Tile Flange - *must specify flange location(s) on order* (see p. D-26)
 - Factory-Installed 3 sides - rigid ABS (TFK3) \$168
 - Field-Installed 3 sides - rigid ABS (TFKNI) \$82
- Pre-Leveled Foam Base (PLFOAM) (see p. D-27) \$143
- Pre-Leveled Frame and Foam Base (PLF) \$348
- Pre-Leveled Frame and Foam Base with Skirting
 - Choose from a skirting style listed below. See p. D-28 for more information.
 - Acrylic Traditional with Raised Panels; one-piece (FSKAO6) \$633
 - Acrylic Traditional with Removable Panels (FSKAR6) \$803
 - Acrylic Contemporary Flat Panel; one-piece (FSKFO6) \$633
 - Acrylic Contemporary Euro-Style w/Removable Panels (FSKE6) \$803
 - Acrylic Skirting Color Upgrade (see p. D-1) \$145
 - Paintable Wood with Removable Panels (FSKW6) \$556
 - Stainable Cherry Wood with Removable Panels (FSKCH6) \$1,541
 - Stainable Oak or Maple Wood with Removable Panels (FSKO6) \$1,332

RECOMMENDED ADDITIONAL PRODUCTS

- Teak Accessories** (See Sec. E)
- Teak Bath Mat (TK-MAT3018) (custom sizes also available) \$329