

Andrea® 8 MTDS-98

71.625" x 36" x 19.75"

GENERAL SPECIFICATIONS:

Tub Size	71.625" x 36" x 19.75"
Bathing Well	length: 60" top / 50.5" bottom width: 26.25" top / 24" bottom depth at overflow: 15.5"
Plumbed Weight	135 lbs / 61.24 kg
Soaker Weight	100 lbs / 43.40 kg
Average Fill	27 gal to above jet level
Maximum Fill	78 gal to overflow
Undermountable	Yes (with no Aromatherapy)

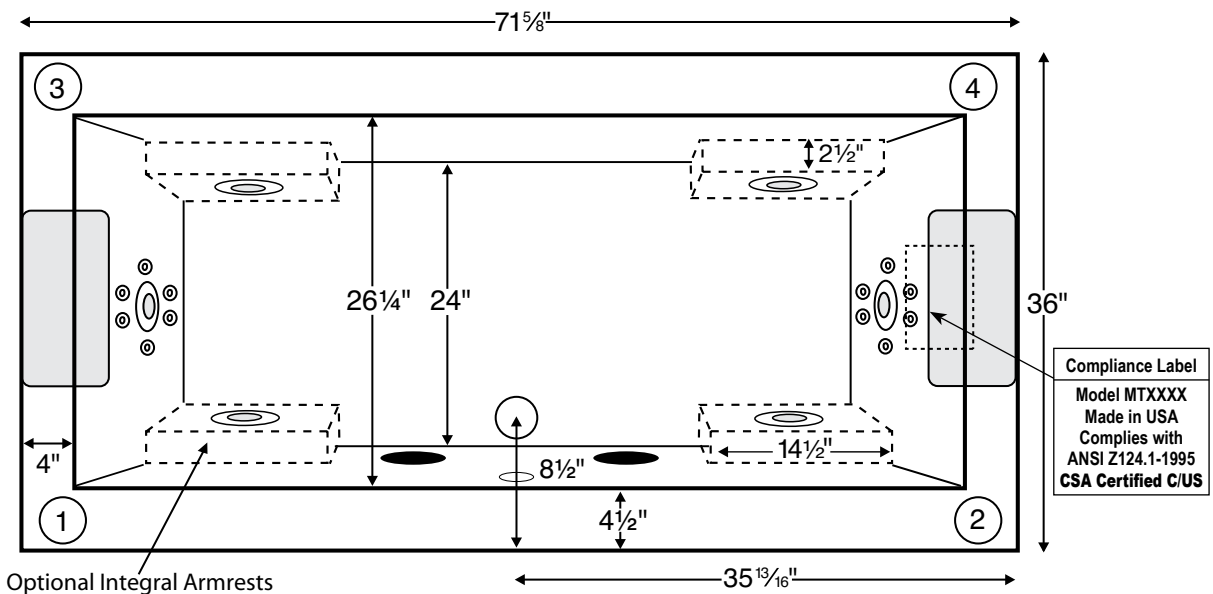
NOTE: Filling this tub to the maximum may require an above average size or dedicated water heater.

ELECTRICAL SPECIFICATIONS:

Required Electrical Service	110 Volt
Air Bath or Standard Whirlpool	1-15 amp GFCI
Standard Whirlpool w/Air	2-15 amp GFCI
Ultra-Therapy	2-20 amp GFCI
Ultra-Therapy w/Air	2-20 amp GFCI

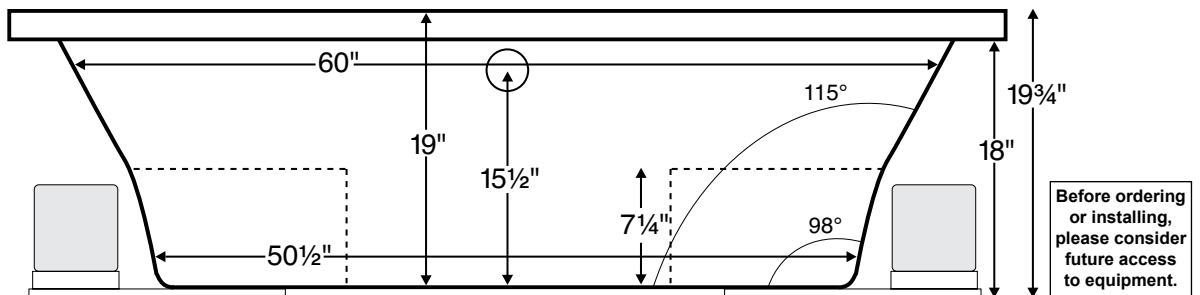
CSA Certified C/US; NAHB Certified; ANSI Z124.1 for plastic tubs and ANSI 112.19.7 for whirlpool components.

NOTE: See electrical specifications page for electrical requirements of options.



Numbered locations on tub deck are possible Fill-Flush, Hand-Held Shower or Breda locations.

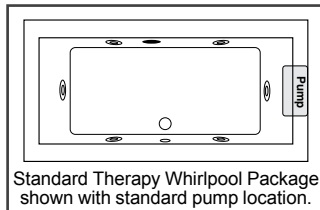
Shown with Ultra-Therapy Package.



IMPORTANT: If you are planning to use a glass enclosure, MTI must be advised when ordering for possible relocation of controls.

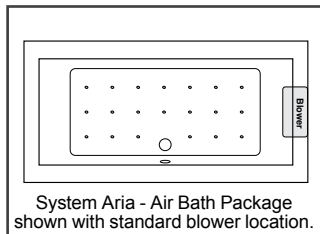
INSTALLATION: Add bedding compound to fully level and support bottom of tub. Skirting and/or pre-leveled frame will increase standard tub height up to 3". All tubs with pre-leveled foam base are designed to rest on the floor without additional bedding compound and will add approximately 2-3" to standard tub height. Please measure tub on-site before building tub decking. Measurements are $\pm 1/2"$ and are subject to change without notice. Measurements herein supersede all others published prior to publication date shown below. Suction and control locations may vary. Specifications and configurations are subject to change without notice.





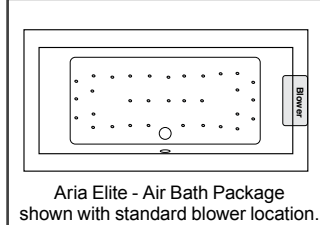
Soaker	
Soaker	
Part # S98	\$1,937

Whirlpool Packages		
Standard Therapy 6 point-massage whirlpool jets, 2-bhp pump	Ultra-Therapy 6 point-massage whirlpool jets, 12 micro-jets with Tsubo-massage, 2 2-bhp pumps, inline heater	
Part # P98	\$3,625	Part # P98U \$5,241



Air Bath Packages	
System Aria Bath 20 air jets, heated air blower, Aromatherapy, pre-leveled foam base*	
Part # AST98	\$4,323

Air Bath / Whirlpool Combination Packages		
System Aria - Air/Whirlpool 6 point-massage whirlpool jets, 2-bhp pump, 20 air jets, heated air blower, Aromatherapy, pre-leveled foam base*	System Aria - Air/Whirlpool Ultra 6 point-massage whirlpool jets, 12 micro-jets with Tsubo-massage, 2 2-bhp pumps, inline heater, 20 air jets, heated air blower, Aromatherapy, pre-leveled foam base*	
Part # AW98	\$5,989	Part # AU98 \$7,549



Aria Elite Bath 30 air jets, heated air blower, Chromatherapy using 2 LED lights, Aromatherapy, pre-leveled foam base*	
Part # AE98	\$5,829

Aria Elite - Air/Whirlpool 6 point-massage whirlpool jets, 2-bhp pump, 30 air jets, heated air blower, Chromatherapy using 2 LED lights, Aromatherapy, pre-leveled foam base*	Aria Elite - Air/Whirlpool Ultra 6 point-massage whirlpool jets, 12 micro-jets with Tsubo-massage, 2 2-bhp pumps, inline heater, 30 air jets, heated air blower, Chromatherapy using 2 LED lights, Aromatherapy, pre-leveled foam base*	
Part # AEAP98	\$7,496	Part # AEAP98U \$9,041

NOTE: Above jet placements for illustration only.

** Foam base adds 2-3" to overall tub height.*

TUB OPTIONS

- Colors - White (CWH), Bone (CBN), Biscuit (CBS), Almond (CAL) STD
- Color Upgrade - See p. D-1 for available colors \$245
- Low-Profile Rim (LPR) ***NEW OPTION*** \$249
- Integral Armrests - 2 pair (INTARM2) \$198
- Textured Slip-Resistant Bottom (TXTBTM) meets ASTM F-462-1994 \$63
- Quick Ship/Priority. (QSPRI) Call for availability. \$260

COMPLEMENTARY THERAPIES

- Thermaltherapy (see p. D-3) \$999
- Radiance® (RAD100) \$466
- Inline Heater for Whirlpools (HTI) \$699
- Inline Heater with Pump for Soaker or Air Baths (HTISOAK) \$499
- Chromatherapy: Digitally controlled LED lighting (LE) (see p. D-5) \$999
- Audiotherapy: Stereo H₂O® (STEREOH2O) (see p. D-6)

ACCESSORIES & HARDWARE

- Virtual Spout (FPMJ) (see p. D-8) \$212
- Grab Bars - *Other finishes available see p. D-9*
- Acrylic Grab Bars, Curved 9" (set of 2): \$221
- White (GBCW); Bone (GBCB); Almond (GBCAL); Biscuit (GBCBS)
- Metal Grab Bars, Curved 9" (set of 2): \$251
- Chrome (GBMCC); Brushed Nickel (GBMCBN)
- Metal Grab Bars, Modern Straight 9" (set of 2): \$251
- Chrome (GBMS9C); Brushed Nickel (GBMS9BN)
- Slim-Line Integrated Overflow with Toe-Tap Drain ***NEW OPTION*** \$299
- Chrome (SLOTC); Brushed Nickel (SLOTBN)
- Also available in solid brass and in other finishes see p. D-10a
- Drain & Overflow Kits - *Other finishes available see p. D-10*
- Lift & Turn - Chrome (WOC) \$86
- Lift & Turn - Brushed Nickel (WOBN) \$160
- Cable Driven - Chrome (WOCDB) \$258
- Cable Driven - Brushed Nickel (WOCDBN) \$280
- Toe-Tap - Chrome (WOTTC) \$194
- Toe-Tap - Brushed Nickel (WOTTBN) \$202
- Pillows: various shapes and sizes (see p. D-13) From \$110
- Hand-Held Showers, factory-installed (see p. D-16) From \$750

ADDITIONAL ACCESSORIES & HARDWARE FOR WHIRLPOOLS ONLY

- Trim Kits - Factory-Installed (*Must be specified at time of tub order*) See p. D-12
- Standard Therapy - Chrome (TRC) \$185
- Standard Therapy - Brushed Nickel (TRBN) \$387
- Standard Therapy - Special Finishes (TRSF) \$1,094
- Ultra Therapy - Chrome (TRCU) \$343
- Ultra Therapy - Brushed Nickel (TRBNU) \$647
- Ultra Therapy - Special Finish (TRSFU) \$1,790

- Neck Jet Pillow: Rectangle (PINJPR); Oval (PINJPO) (see p. D-14) \$350
- Pump Upgrade - 3 bhp (PUMP3) \$223
- Additional Point-Massage Jets (EJ) \$235
- Rotary Jets - Can be substituted for Point-Massage Jets (max 2) See p. D-11
- Micro-Jets (see p. D-11) From \$289
- Low Water Sensor (LWS) (see p. D-15) \$389

WHIRLPOOL CLEANING SYSTEMS (see p. D-20)

- Fill-Flush® without valves (FFSO)* \$559
- Simple Touch® without valves (FFE)* \$640
- ** Important: When ordering Fill-Flush or Simple Touch, a backflow prevention device may be required. See p. D-24 for details.*
- Ozonator Bath Sanitation System (OZONE) (see p. D-25) \$499

INSTALLATION AIDS

- Tile Flange - *must specify flange location(s) on order (see p. D-26)*
- Factory-Installed 3 sides - rigid ABS (TFK3) \$168
- Field-Installed 3 sides - rigid ABS (TFKNI) \$82
- Pre-Leveled Foam Base (PLFOAM) (see p. D-27) \$143
- Pre-Leveled Frame and Foam Base (PLF) \$348
- Pre-Leveled Frame and Foam Base with Skirting
- *Choose from a skirting style listed below. See p. D-28 for more information.*
- Acrylic Traditional with Raised Panels; one-piece (FSKAO6) \$633
- Acrylic Traditional with Removable Panels (FSKAR6) \$803
- Acrylic Contemporary Flat Panel; one-piece (FSKFO6) \$633
- Acrylic Contemporary Euro-Style w/Removable Panels (FSKE6) \$803
- Acrylic Skirting Color Upgrade (see p. D-1) \$245
- Paintable Wood with Removable Panels (FSKW6) \$556
- Stainable Cherry Wood with Removable Panels (FSKCH6) \$1,541
- Stainable Oak or Maple Wood with Removable Panels (FSKO6) \$1,332

RECOMMENDED ADDITIONAL PRODUCTS

Frameless Tub-Shower Enclosures (See Sec. H)

- Nordic Series - Tub Shield with chrome hardware* \$980
- Square Hinges (N24TSC-S); Oval Hinges (N24TSC-O)
- Nordic Series - Solo Shield with Chrome Hardware* \$859
- Square Hinges (N29SOC-S); Oval Hinges (N29SOC-O)
- **Also available in brushed nickel for an upcharge.*

Teak Accessories (See Sec. E)

- Teak Tub Seat \$692
- Natural Stainless (TK-TSEAT3615NS) \$846
- High-Polished Stainless (TK-TSEAT3615HP)
- Removable Teak Seat for use with Armrests (TK-REMTSEAT) \$299
- Teak Bath Mat (TK-MAT3018) (custom sizes also available) \$329