

Boutique Collection Tubs

Elise (#115)

73" x 37" x 21.75"

GENERAL SPECIFICATIONS:

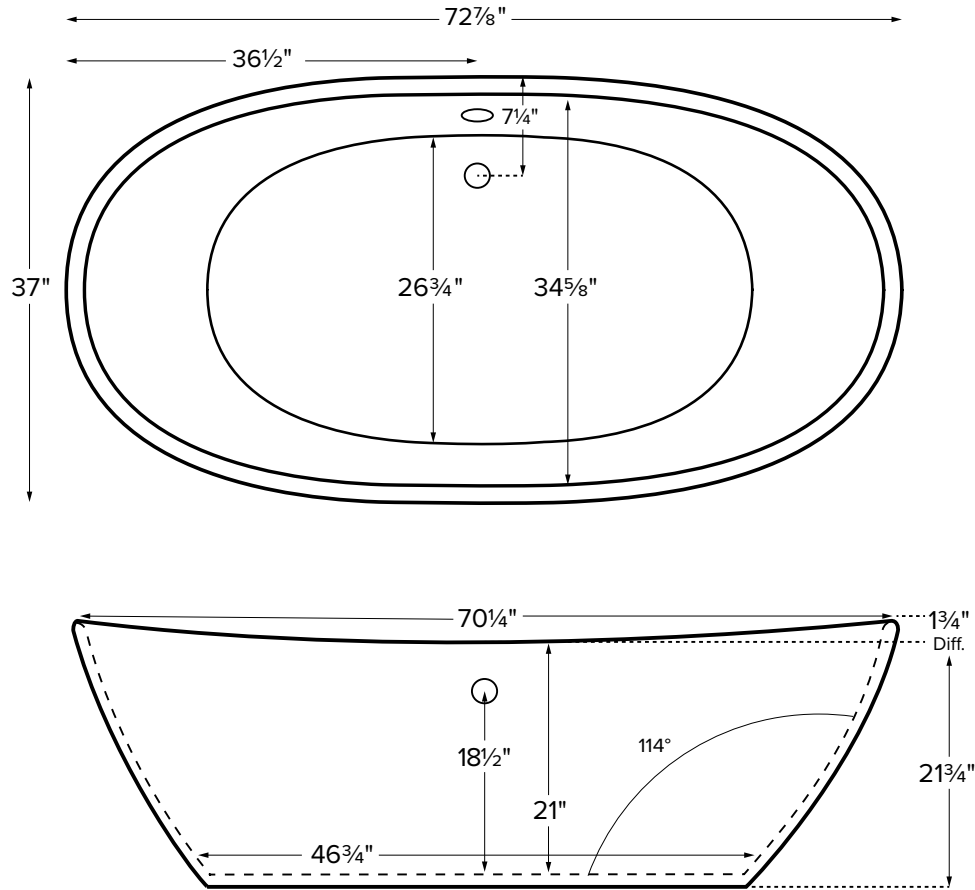
Material - SculptureStone®

Installation - Freestanding - *cannot be undermounted*
Not recommended as a tub / shower combination.

Soaker Weight - 240 lbs / 108 kg

Maximum Fill - 102 gal to overflow

NOTE: *Filling this tub to the maximum may require an above average size or dedicated water heater.*



CSA Certified C/US; ANSI Z124.1

IMPORTANT ORDERING & INSTALLATION INFORMATION:

- Elise #115 is available only as a soaker. To order an air bath see Elise #193
- Requires partial or complete sub-floor drain installation. See installation manual for important installation information.
- Tub is pre-drilled with an overflow, but can be specified without (see local codes).
- Requires use of a wall-mounted or freestanding tub filler.
- Measurements are + 1/2" and are subject to change without notice.
- Options and accessories are packaged inside the tub crate for delivery.
- Data herein supersedes all prior to publication date shown below.

See the "Boutique Collection Tubs Installation & Operation Manual" included with tub delivery or go to: mtibaths.com/support/installation for all the information necessary to install and operate the tub. MTI's Customer Service Department is available Monday-Friday 8am-6pm EST at 800-783-8827 or customerservice@mtibaths.com to answer any questions pertaining to ordering or installation.

Hydrotherapy Packages	Package Contents	Part #	MSRP
 Soaker	Soaking bath - no jets. Includes a decorative toe-tap drain kit in chrome finish. Notes: • See "Important Ordering & Installation Information" on previous page. • Please see installation manual for important drain installation details.	S115	\$7,485

Lead Time - Soakers and Air Bath Packages 10 business days

Color and Finish Options
NOTE: part codes for all options listed in parenthesis. Standard Color - White, matte finish Biscuit Color Upgrade, matte finish - (SSBI) \$260
Optional Gloss Finish Upcharge - For White or Biscuit (SSGLOSS) \$645 Additional material colors available for projects only. Please call MTI.
Optional Hardware
Toe-Tap Drain Kit with Exposed Overflow Finishes Chrome (included with tub) Brushed Nickel upcharge* (DKSSBN) +\$90 Polished Nickel upcharge* (DKSSPN) +\$90 Special Finish upcharge* (DKSSSF) +\$1,410
Floor-Mounted High-Flow Tub Filler - two designs available Contemporary - Chrome (FILLC) \$2,055 Brushed Nickel (FILLBN) \$2,220 Traditional - Chrome (FILLTC) \$2,055 Brushed Nickel (FILLTBN) \$2,220
Faucet Stands - Available in two styles and & multiple sizes Standard Faucet Stand, Matte Finish Small / 21.75" x 14.25" / 3-hole capacity - (STAND) \$945 Large / 21.75" x 22" / 5-hole capacity - (STANDL) \$1,060 Gloss Finish Upcharge (SSGLOSSSNK) \$215 Premium Faucet Stand 39" h x 15" w - Matte - (SSFSR3915MT) \$1,770 Gloss - (SSFSR3915GL) \$2,085 39" h x 10" w - Matte - (SSFSR3910MT) \$1,770 Gloss - (SSFSR3910GL) \$2,085 23" h x 20" w - Matte - (SSFSR2320MT) \$1,505 Gloss - (SSFSR2320GL) \$1,820 23" h x 15" w - Matte - (SSFSR2315MT) \$1,505 Gloss - (SSFSR2315GL) \$1,820

Standard Options and Accessories
NOTE: part codes for all options listed in parenthesis. Quick Ship - reduces lead time - please call for availability (QSPRI2) \$755
Bathroom Table - Constructed of SculptureStone® (TABLE) \$965 color matched with tub Gloss Finish Upcharge (SSGLOSSSNK) \$215
SculptureStone® Tub Tray - color / finish matched with tub Solid without stemware holder (SSTRAY1) \$440 Solid with Stemware Holder (SSTRAY2) \$440
Teak Tub Tray - Slatted (TK-TRAY1) \$415 Solid (TK-TRAY2) \$415
Teak Bath Mat - Measures 30" x 17.5" x 1" (TK-MAT3018) \$430 custom sizes also available, contact MTI for details

NOTES REGARDING DRAIN KITS:

- This tub includes a toe-tap drain chrome finish, unless otherwise specified.
- Above pricing represents finish upcharge only. Contact MTI for pricing when drain is ordered separately.
- For "Special Finish", must send MTI a finish sample to color match.
- Requires partial or complete sub-floor drain installation. See installation manual for important installation information.

