

# Jasmine 3

52" x 52" x 35.5"



**GENERAL SPECIFICATIONS:**

**Material** - Acrylic

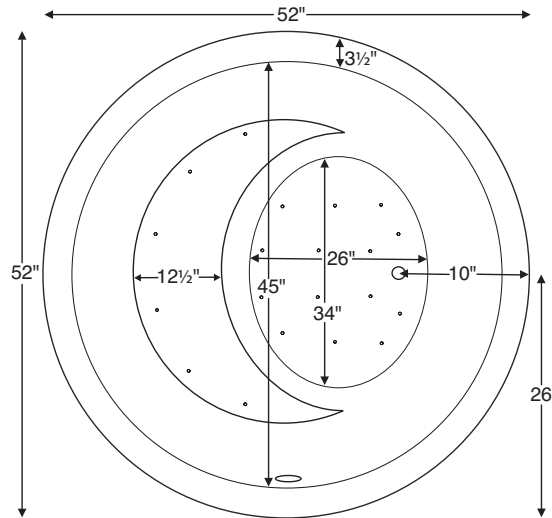
**Installation** - Freestanding

**Soaker Weight** - 135 lbs / 61 kg

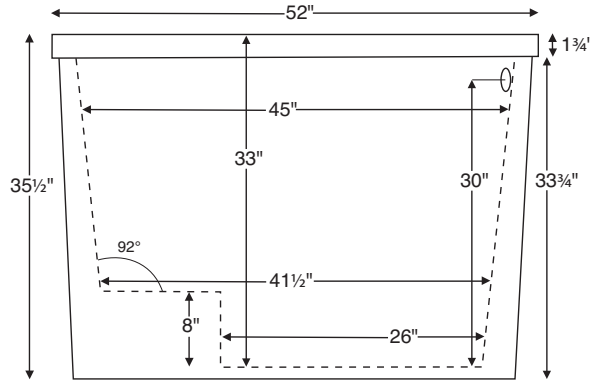
**Maximum Fill** - 160 gal to overflow

*NOTE: Filling this tub to the maximum may require an above average size or dedicated water heater.*

Requires use of a wall-mounted or freestanding tub filler. The drain and overflow assembly is concealed between the walls of the tub, eliminating the need for an exposed drain kit.



Shown with Air Massage Package.



**ELECTRICAL COMPONENTS & SPECIFICATIONS**

**Required Electrical Service** - 110 Volt

Hydrotherapy Package	Components Included	GFCI
<b>Air Massage</b>	heated blower	1-15 amp
<b>Air Massage Elite</b>	heated blower, chromatherapy	1-15 amp

*For electrical requirements of tub options, see specific options specs*  
CSA Certified C/US; ANSI Z124.1 for plastic tubs and ANSI 112.19.7 for whirlpool components.

See the "Designer Collection Tubs Installation & Operation Manual" included with tub delivery or go to: [mtibaths.com/support/installation](http://mtibaths.com/support/installation) for all the information necessary to install and operate the tub.



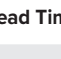
MTI's Customer Service Department is available Monday-Friday 8am-6pm EST at 800-783-8827 or [customerservice@mtibaths.com](mailto:customerservice@mtibaths.com) to answer any questions pertaining to ordering or installation.

CSA # MTDS-134  
Effective 020918

**IMPORTANT ORDERING & INSTALLATION INFORMATION:**

- Before ordering or installing, please consider future access to equipment.
- There is no access panel installed on this tub. Must have access to the drain from underneath the tub for installation and servicing.
- If tub is equipped with an inline heater, the heater is designed to maintain water temperature, not to heat cold water.
- When ordering an air bath, the air blower must be remote mounted.
- If tub is equipped with Chromatherapy, the control box must be remote mounted.
- To facilitate the installation process, the overflow assembly is pre-installed at the factory. Toe-tap drain kit is included for on-site installation.
- Specifications and configurations are subject to change without notice.
- Measurements are  $\pm 1/2"$  and are subject to change without notice.
- Measurements herein supersede all others published prior to publication date shown below.



Hydrotherapy Packages	Package Contents	Part #	MSRP
 Soaker	Soaking bath - no jets; includes a textured bottom, chrome toe tap drain with factory installed overflow, and pre-leveled foam base.	<b>S134</b>	<b>\$5,860</b>
 Air Massage	20 air jets, heated air blower, chrome toe tap drain with factory installed overflow, and pre-leveled foam base, textured bottom. Blower and control boxes must be remote located.	<b>AST134</b>	<b>\$8,560</b>
 Air Massage Elite	30 air jets, heated air blower, Chromatherapy LED lighting, Spa Mode, chrome toe tap drain with factory installed overflow, and pre-leveled foam base, textured bottom. Blower and control boxes must be remote located.	<b>AE134</b>	<b>\$10,220</b>

**Lead Time** - Soakers and Air Bath Packages - 7 business days

### Premium Options

NOTE: part codes for all options listed in parenthesis.

**Radiance** - integrated tub shell heating system  
(RAD100) **\$1,050**

**Chromatherapy** - Included in some hydrotherapy packages  
underwater LED lighting (LE) **\$590**

**Stereo H<sub>2</sub>O - Standard System** - includes 4 integrated audio transducers with leads to connect to an external audio source  
(STEREOH202) **\$1,100**  
**Bluetooth System** - integrated Bluetooth system allows you to directly connect to an applicable device  
(STEREOBT) **\$1,200**

### Standard Options

**Standard Colors:** White (CWH) - available in white only

**Quick Ship** - not available for this model

**Virtual Spout** - high-flow integrated tub filler  
(FPMJ) **\$300**

### Accessories & Hardware for All Packages

**Floor-Mounted High-Flow Tub Filler** - two designs available

Contemporary -

Chrome (FILLC) **\$1,995**

Brushed Nickel (FILLBN) **\$2,155**

Traditional -

Chrome (FILLTC) **\$1,995**

Brushed Nickel (FILLTBN) **\$2,155**

**Drain Kit Finishes**

**Toe-Tap with Round Overflow** -

Chrome - **included with tub**

Brushed Nickel upcharge (WOTTBNU) **\$25**

Polished Nickel upcharge (WOTTPNU) **\$25**

**Pillows** - from **\$120** see pillows spec at:

[mtibaths.com/wp-content/uploads/2016/11/options\\_pillows.pdf](http://mtibaths.com/wp-content/uploads/2016/11/options_pillows.pdf)

**Teak Bath Mat** (TK-MAT3018) **\$410** custom sizes also available



Inside view of tub