

Elena with Pedestal (#140P)

66" x 31.75" x 23.5"



GENERAL SPECIFICATIONS:

Material - SculptureStone®

Installation - Freestanding

Flat rim version may also be undermounted. *Must specify on order.*

Rolled rim version cannot be undermounted

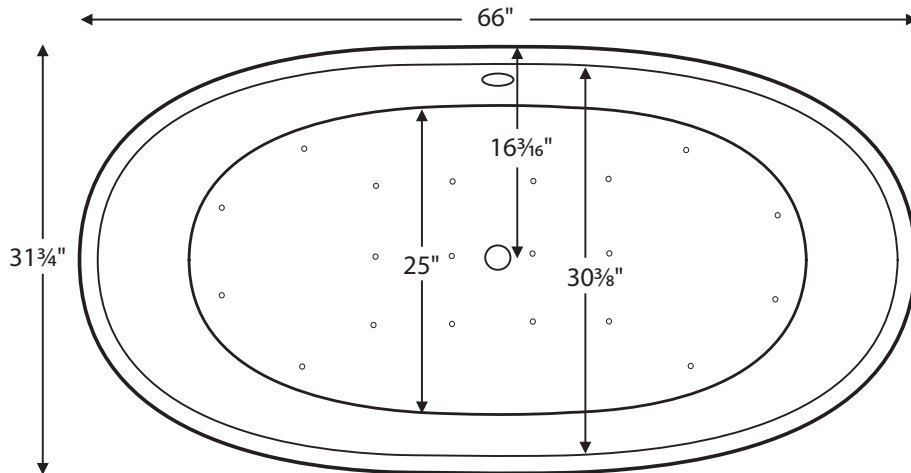
Not recommended as a tub / shower combination.

Soaker Weight - 212 lbs / 96 kg

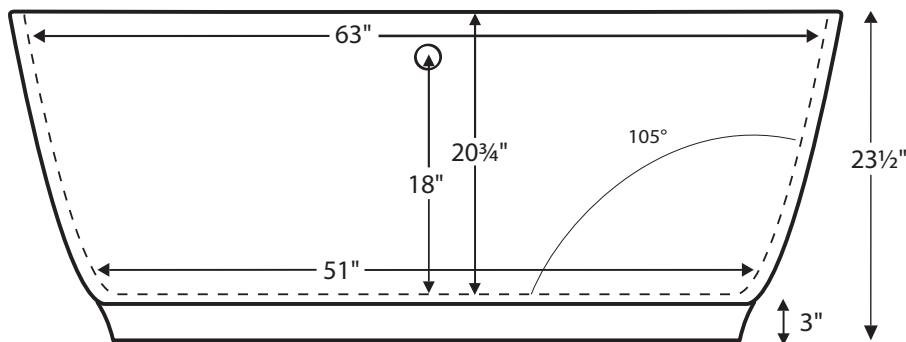
Air Bath Weight - 242 lbs / 110 kg

Maximum Fill - 95 gal to overflow

NOTE: Filling this tub to the maximum may require an above average size or dedicated water heater.



Shown above as an Air Bath.



ELECTRICAL SPECIFICATIONS

Required Electrical Service - 110 Volt

Air Bath	1-15 amp GFCI
-----------------	---------------

CSA Certified C/US; ANSI Z124.1

IMPORTANT ORDERING & INSTALLATION INFORMATION:

- Requires partial or complete sub-floor drain installation. See installation manual for important installation information.
- Tub includes a pedestal base, but can be removed from the package and decreases the overall height by 3".
- Also available, Elena #220, with integrated overflow and pedestal.
- Air baths require job site preparations for remote mounting the blower and required check valve. Check valve must be installed higher than the rim of the tub. The keypad is shipped loose and may be mounted on a nearby wall or decking. A waterproof remote control is also included. Please read installation manual prior to ordering.
- Tub is pre-drilled with an overflow, but can be specified without (see local codes).
- Requires use of a wall-mounted or freestanding tub filler.
- Measurements are $\pm 1/2$ " and are subject to change without notice.
- Options and accessories are packaged inside the tub crate for delivery.
- Data herein supersedes all prior to publication date shown below.



See the "Boutique Collection Tubs Installation & Operation Manual" included with tub delivery or go to:

mtibaths.com/support/installation

for all the information necessary to install and operate the tub.

MTI's Customer Service Department is available Monday-Friday 8am-6pm EST at 800-783-8827 or customerservice@mtibaths.com to answer any questions pertaining to ordering or installation.



Hydrotherapy Packages	Package Contents	Part #	MSRP
 Soaker	Soaking bath - no jets. Includes a SculptureStone pedestal base and a decorative toe-tap drain kit in chrome finish. Notes: • See "Important Ordering & Installation Information" on previous page. • Please see installation manual for important drain installation details.	S140RP (Rolled Rim)	\$7,235
		S140FP (Flat Rim)	\$7,235
 Air Bath	20 air jets, heated air blower, keypad, waterproof remote control, SculptureStone pedestal base and a decorative toe-tap drain kit in chrome finish. Notes: • See "Important Ordering & Installation Information" on previous page. • Blower & required check valve must be remote mounted. Check valve must be installed higher than the rim of the tub. • Please see installation manual for important drain installation details.	AST140RP (Rolled Rim)	\$11,225
		AST140FP (Flat Rim)	\$11,225

Lead Time - Soakers and Air Bath Packages 10 business days

Color and Finish Options
NOTE: part codes for all options listed in parenthesis.
Standard Color - White, matte finish Biscuit Color Upgrade, matte finish - (SSBI) \$250
Optional Gloss Finish Upcharge - For White or Biscuit (SSGLOSS3) \$895 Additional material colors available for projects only. Please call MTI.
Exterior Color for Flat Rim in Gloss only - (SSCOLTG) \$1,000 Must specify color code: Blue Lagoon (BL), Terracotta (TC), Onyx (OX), Nightfall (NF), Stormgray (SG), Moonstone (MS) See the colors at: mtibaths.com/about-products/tub-options/colors/
Optional Hardware
Toe-Tap Drain Kit with Exposed Overflow Finishes Chrome (included with tub) Brushed Nickel upcharge* (DKSSBN) +\$85 Polished Nickel upcharge* (DKSSPN) +\$85 Special Finish upcharge* (DKSSSF) +\$940
Floor-Mounted High-Flow Tub Filler - two designs available Contemporary - Chrome (FILLC) \$1,995 Brushed Nickel (FILLBN) \$2,155 Traditional - Chrome (FILLTC) \$1,995 Brushed Nickel (FILLTBN) \$2,155
Faucet Stands - Available in two styles and & multiple sizes Standard Faucet Stand , Matte Finish Small / 21.75" x 14.25" / 3-hole capacity - (STAND) \$910 Large / 21.75" x 22" / 5-hole capacity - (STANDL) \$1,020 Gloss Finish Upcharge (SSGLOSSNK) \$205 Premium Faucet Stand 39" h x 15" w - Matte - (SSFSR3915MT) \$1,700 Gloss - (SSFSR3915GL) \$2,005 39" h x 10" w - Matte - (SSFSR3910MT) \$1,700 Gloss - (SSFSR3910GL) \$2,005 23" h x 20" w - Matte - (SSFSR2320MT) \$1,445 Gloss - (SSFSR2320GL) \$1,750 23" h x 15" w - Matte - (SSFSR2315MT) \$1,445 Gloss - (SSFSR2315GL) \$1,750

Standard Options and Accessories
NOTE: part codes for all options listed in parenthesis.
Quick Ship - reduces lead time - please call for availability (QSPRI2) \$735
No Pedestal Deduction - eliminates the pedestal base for soaker only (PED140) -\$600
Bathroom Table - Constructed of SculptureStone® (TABLE) \$930 color matched with tub Gloss Finish Upcharge (SSGLOSSNK) \$205
SculptureStone® Tub Tray - color / finish matched with tub Solid without stemware holder (SSTRAY1) \$425 Solid with Stemware Holder (SSTRAY2) \$425
Teak Tub Tray - Slatted (TK-TRAY1) \$395 Solid (TK-TRAY2) \$395
Teak Bath Mat - Measures 30" x 17.5" x 1" (TK-MAT3018) \$410 custom sizes also available, contact MTI for details

***NOTES REGARDING DRAIN KITS:**

- This tub includes a toe-tap drain chrome finish, unless otherwise specified.
- Above pricing represents finish upcharge only. Contact MTI for pricing when drain is ordered separately.
- For "Special Finish", must send MTI a finish sample to color match.
- Requires partial or complete sub-floor drain installation. See installation manual for important installation information.

