



Designer Collection Tubs
Model # 147

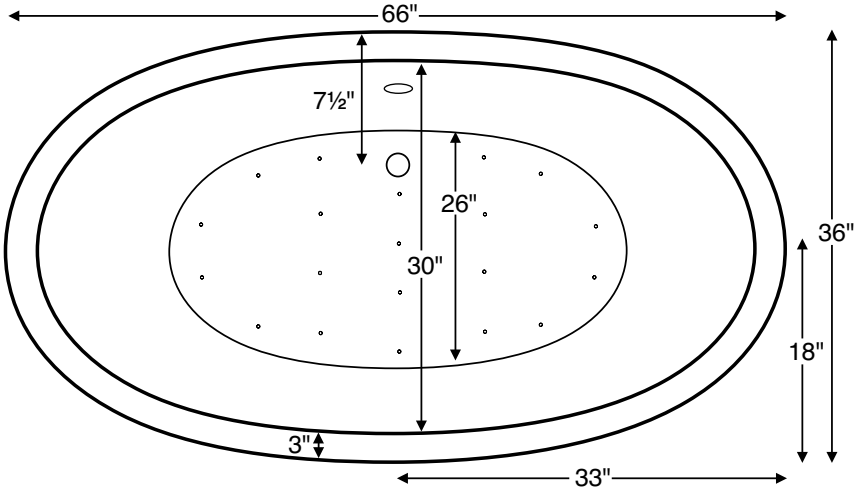
Olivia 1

66" x 36" x 23.5"

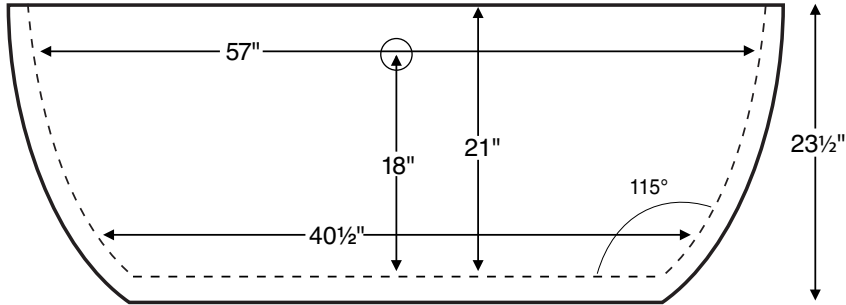
GENERAL SPECIFICATIONS:

- Material** - Acrylic
- Installation** - Freestanding
- Soaker Weight** - 200 lbs / 91 kg
- Maximum Fill** - 87 gal to overflow

NOTE: Filling this tub to the maximum may require an above average size or dedicated water heater.



Requires use of a wall-mounted or freestanding tub filler. The drain and overflow assembly is concealed between the walls of the tub, eliminating the need for an exposed drain kit. Shown with Air Massage Package.



IMPORTANT:
Must have access to the drain from underneath the tub for installation and servicing.

| ELECTRICAL COMPONENTS & SPECIFICATIONS | | |
|--|------------------------------|----------|
| Required Electrical Service - 110 Volt | | |
| Hydrotherapy Package | Components Included | GFCI |
| Air Massage | heated blower | 1-15 amp |
| Air Massage Elite | heated blower, chromatherapy | 1-15 amp |
| For electrical requirements of tub options, see specific options specs CSA Certified C/US; ANSI Z124.1 for plastic tubs and ANSI 112.19.7 for whirlpool components. | | |

See the "Designer Collection Tubs Installation & Operation Manual" included with tub delivery or go to: mtibaths.com/support/installation for all the information necessary to install and operate the tub.



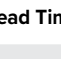
MTI's Customer Service Department is available Monday-Friday 8am-6pm EST at 800-783-8827 or customerservice@mtibaths.com to answer any questions pertaining to ordering or installation.

CSA # MTDS-147
Effective 010119

IMPORTANT ORDERING & INSTALLATION INFORMATION:

- Before ordering or installing, please consider future access to equipment.
- There is no access panel installed on this tub. Must have access to drain from underneath the tub for installation and servicing.
- To facilitate the installation process, the overflow assembly is pre-installed at the factory. Toe-tap drain kit is included for on-site installation.
- When ordering an air bath, the air blower must be remote mounted.
- If tub is equipped with Chromatherapy, the control box must be remote mounted.
- Specifications and configurations are subject to change without notice.
- Measurements are ±1/2" and are subject to change without notice.
- Measurements herein supersede all others published prior to publication date shown below.



| Hydrotherapy Packages | Package Contents | Part # | MSRP |
|---|--|---------------|-----------------|
|  Soaker | Soaking bath - no jets; includes a pre-leveled foam base and a toe-tap drain kit in chrome. | S147 | \$8,350 |
|  Air Massage | 20 air jets, heated air blower, pre-leveled foam base and a toe-tap drain kit in chrome. Blower and control boxes must be remote located. | AST147 | \$11,165 |
|  Air Massage Elite | 30 air jets, heated air blower, Chromatherapy LED lighting, Spa Mode, pre-leveled foam base and a toe-tap drain kit in chrome. Blower, control boxes and Spa Mode keypad must be remote located/mounted. | AE147 | \$12,895 |

Lead Time - Soakers and Air Bath Packages - 7 business days

Premium Options

NOTE: part codes for all options listed in parenthesis.

Radiance - integrated tub shell heating system (RAD100) **\$1,080**

Chromatherapy - Included in some hydrotherapy packages underwater LED lighting (LE) **\$610**

Standard Options

Standard Colors: White (CWH)

Textured, Slip-Resistant Bottom - meets ASTM F-462-1994 (TXBTM) **\$75**

Accessories & Hardware for All Packages

Floor-Mounted High-Flow Tub Filler - two designs available

Contemporary -

Chrome (FILLC) **\$2,055**

Brushed Nickel (FILLBN) **\$2,220**

Traditional -

Chrome (FILLTC) **\$2,055**

Brushed Nickel (FILLTBN) **\$2,220**

Drain Kits - other finishes also available

Toe-Tap with Round Overflow -

Chrome - **included with tub**

Brushed Nickel upcharge (WOTTBNU) **\$25**

Polished Nickel upcharge (WOTTENU) **\$25**

This tub includes a complete drain kit in chrome finish. Above pricing represents finish upcharge ONLY. Contact MTI for pricing on drain kits sold separately

Pillows - from **\$125** see pillows spec at:

mtibaths.com/wp-content/uploads/2016/11/options-pillows.pdf

Teak Tub Tray - Slatted (TK-TRAY1) or Solid (TK-TRAY2) **\$415**

Teak Bath Mat (TK-MAT3018) **\$430** custom sizes also available



Inside view of tub.

