



Designer Collection Tubs
Model # 187A

Andrea® 20 with Sculpted Finish® 54" x 36" x 21.5"

GENERAL SPECIFICATIONS:

Material - Acrylic

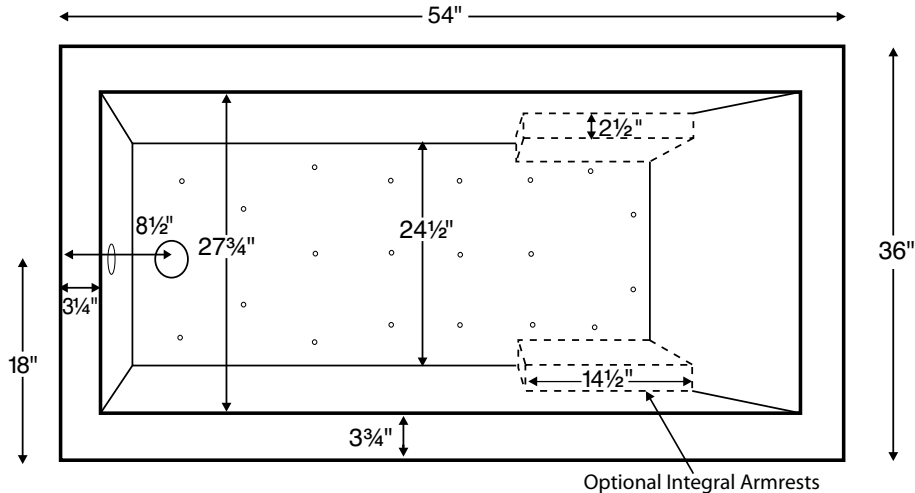
Installation - Freestanding* (see note to left)

Soaker Weight - 140 lbs / 64 kg

Maximum Fill - 51 gal to overflow

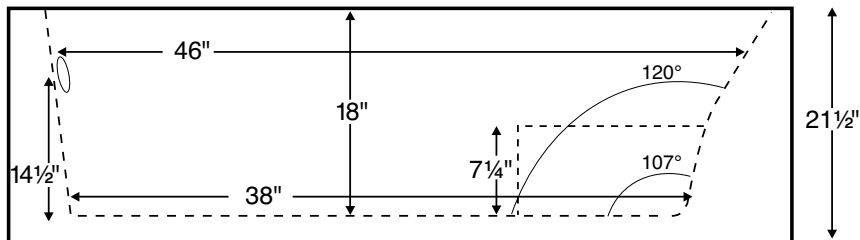
NOTE: Filling this tub to the maximum may require an above average size or dedicated water heater.

*Sculpted Finish is standard on 4 sides, creating a freestanding tub design.
Also available finished on 1, 2 or 3 sides for various installation applications.



Optional Integral Armrests

The Sculpted Finish process does not allow enough space for mounting fixtures on the tub deck.
Shown with Air Massage Package.



ELECTRICAL COMPONENTS & SPECIFICATIONS

Required Electrical Service - 110 Volt

Hydrotherapy Package	Components Included	GFCI
Air Massage	heated blower	1-15 amp
Air Massage Elite	heated blower, chromatherapy	1-15 amp

For electrical requirements of tub options, see specific options specs
CSA Certified C/US; ANSI Z124.1 for plastic tubs and ANSI 112.19.7 for whirlpool components.

IMPORTANT ORDERING & INSTALLATION INFORMATION:

- Before ordering or installing, please consider future access to equipment.
- Unless ordering Sculpted Finish on 4 sides, please include a diagram specifying which sides will need to be finished, along with location of optional tile flange.
- Overflow must be factory installed if drain end is sculpted. Please select drain from options on next page.
- When ordering an air bath, the air blower must be remote mounted.
- If tub is equipped with Chromatherapy, the control box must be remote mounted.
- Specifications and configurations are subject to change without notice.
- Measurements are $\pm 1/2"$ and are subject to change without notice.
- Measurements herein supersede all others published prior to publication date shown below.




See the "Designer Collection Tubs Installation & Operation Manual" included with tub delivery or go to:
mtibaths.com/support/installation
for all the information necessary to install and operate the tub.

MTI's Customer Service Department is available
Monday-Friday 8am-6pm EST at 800-783-8827 or
customerservice@mtibaths.com
to answer any questions pertaining to ordering or installation.

CSA # MTDS-187A
Effective 010119



©2019 by MTI Baths, Inc. Modification Rights Reserved.

Hydrotherapy Packages	Package Contents	Sculpted Finish Sides	Part #	MSRP
 Soaker	Soaking bath - no jets, pre-leveled foam base	4-sides sculpted	S187A + SCULPT4	\$6,820
		3-sides sculpted	S187A + SCULPT3	\$6,305
		2-sides sculpted	S187A + SCULPT2	\$5,080
		1-side sculpted	S187A + SCULPT1	\$4,775
 Air Massage	20 air jets, heated air blower, pre-leveled foam base	4-sides sculpted	AST187A + SCULPT4	\$9,635
		3-sides sculpted	AST187A + SCULPT3	\$9,120
		2-sides sculpted	AST187A + SCULPT2	\$7,895
		1-side sculpted	AST187A + SCULPT1	\$7,590
 Air Massage Elite	30 air jets, heated air blower, Chromatherapy LED lighting, Spa Mode, pre-leveled foam base	4-sides sculpted	AE187A + SCULPT4	\$11,365
		3-sides sculpted	AE187A + SCULPT3	\$10,850
		2-sides sculpted	AE187A + SCULPT2	\$9,625
		1-side sculpted	AE187A + SCULPT1	\$9,320

Air baths can be installed on any of the Andrea Sculpted Finish tubs, regardless of the number of sides specified.

Microbubbles can be incorporated provided there is access to the components.

For more customized applications, additional hydrotherapies may possibly be integrated in an Andrea Sculpted Finish tub, depending on the types of therapy and the installation application. Visit mtibaths.com or call MTI at 800.783.8827.

Lead Time - Soakers and Air Bath Packages - 20 business days

Premium Options

NOTE: part codes for all options listed in parenthesis.

Microbubbles - Available on Soakers and Air Baths only (MICRO) \$1,745
Radiance - Integrated tub shell heating system (RAD100) \$1,080
Chromatherapy - Included in some hydrotherapy packages underwater LED lighting (LE) \$610
Stereo H₂O - Standard System - includes 4 integrated audio transducers with leads to connect to an external audio source (STEREOH202) \$1,135
Bluetooth System - integrated Bluetooth system allows you to directly connect to an applicable device (STEREOBT) \$1,235

Standard Options

Color: White (CWH) only
Textured, Slip-Resistant Bottom (TXBTM) \$75
Integral Armrests - 1 pair (INTARM) \$125
Teak Seat for use with Armrests - (TK-REMTSEAT) \$430

Installation Aids

Tile Flange - must specify location(s) on order Factory Installed rigid ABS 1 Side (TFK1) \$165 2 Sides (TFK2) \$175 3 Sides (TFK3) \$190 Field Install Kit - includes rigid ABS & adhesive (TFKNI) \$175

Accessories & Hardware for All Packages

Floor-Mounted High-Flow Tub Filler - two designs available Contemporary - Chrome (FILLC) \$2,055 Brushed Nickel (FILLBN) \$2,220 Traditional - Chrome (FILLTC) \$2,055 Brushed Nickel (FILLTBN) \$2,220
Drain Kits Toe-Tap with Rectangular Overflow Chrome (WOTRC) - included with tub Can upgrade to Brushed Nickel (WOTRBN) or White (WOTRW), for no upcharge, please specify on order. Brass body drain upcharge for Rectangular Overflow (WOTRSB) \$470 Slim-Line Overflow with Toe-Tap Drain upcharge Choose from chrome (SLOTUCU), brushed nickel (SLOTBNU), Polished Nickel (SLOTPNU) or white (SLOTWU) \$105 Brass body drain upcharge for Slim-Line Overflow (SLOTSBU) \$470
Pillows - from \$125 see pillows spec at: mtibaths.com/wp-content/uploads/2016/11/options-pillows.pdf
Teak Tub Tray - Slatted (TK-TRAY1) or Solid (TK-TRAY2) \$415
Teak Bath Mat (TK-MAT3018) \$430 custom sizes also available

