



DESIGNER COLLECTION TUBS
MODEL # 191

Melinda 8
66.5" x 35.5" x 23.5"

GENERAL SPECIFICATIONS:

Material - Acrylic

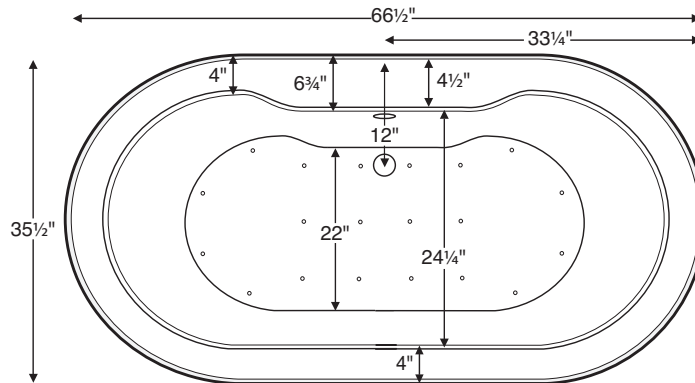
Installation - Freestanding

Not recommended as a tub / shower combination.

Soaker Weight - 121 lbs / 55 kg

Maximum Fill - 81 gal to overflow

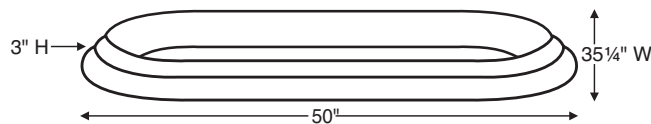
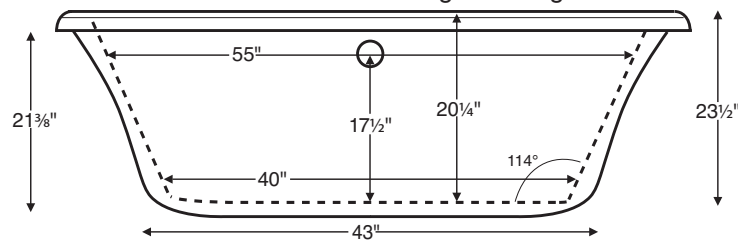
NOTE: Filling this tub to the maximum may require an above average size or dedicated water heater.



The Melinda 8 features a 4.5"-wide flat deck surface on the drain side for mounting faucetry.

The drain & overflow assembly is concealed between the walls of the tub, eliminating the need for an exposed drain kit.

Shown with Air Massage Package.



Optional one-piece pedestal base. Does not increase height of tub.

ELECTRICAL COMPONENTS & SPECIFICATIONS		
Required Electrical Service - 110 Volt		
Hydrotherapy Package	Components Included	GFCI
Air Massage	heated blower	1-15 amp
Air Massage Elite	heated blower, chromatherapy	1-15 amp
For electrical requirements of tub options, see page C-2.		
CSA Certified C/US; ANSI Z124.1 for plastic tubs and ANSI 112.19.7 for whirlpool components.		

IMPORTANT ORDERING & INSTALLATION INFORMATION:

- This freestanding tub comes equipped with an access panel on the drain side (*shown to the right*) to facilitate installation of faucet, drain and overflow. Comprehensive installation instructions ship with tub and are also available on mtibaths.com.



- Optional pedestal base ships loose with tub and does not increase overall height.
- Before ordering or installing, please consider future access to equipment.
- When ordering an air bath, the air blower must be remote mounted.
- Specifications and configurations are subject to change without notice.
- Measurements are $\pm 1/2$ " and are subject to change without notice.
- Measurements herein supersede all others published prior to publication date shown below.

See the "Designer Collection Tubs Installation & Operation Manual" included with tub delivery or go to mtibaths.com/support/installation_operation/manuals for all the information necessary to install and operate the tub.

MTI's Customer Service Department is available Monday-Friday 8am-6pm EST at 800-783-8827 or customerservice@mtibaths.com to answer any questions pertaining to ordering or installation.



Hydrotherapy Packages	Package Contents	Part #	MSRP
Soaker	Soaking bath - no jets, pre-leveled foam base	S191	\$4,180
		With Pedestal - S191 + BASE191	\$5,180
Air Bath Packages	20 air jets, heated air blower, pre-leveled foam base <i>Blower and / or control boxes must be remote located.</i>	AST191	\$6,880
		With Pedestal - AST191 + BASE191	\$7,880
	30 air jets, heated air blower, Chromotherapy LED lighting, Spa Mode, pre-leveled foam base <i>Blower and / or control boxes must be remote located.</i>	AE191	\$8,540
		With Pedestal - AE191 + BASE191	\$9,540

Lead Time - 7 business days

Premium Options	NOTE: part codes for all options listed in parenthesis.
Radiance - integrated tub shell heating system (RAD100)	\$1,050 see p. C-5
Chromotherapy - underwater LED lighting (LE)	\$590 see p. C-6
Stereo H ₂ O - includes 4 integrated audio transducers (STEREOH20)	\$1,100 Requires audio source(s) and amplification not provided by MTI - see p. C-7.
Standard Options	
Standard Colors: White (CWH), Bone (CBN), Biscuit (CBS) Color Upgrade: (COL3)	\$855 See p. C-1 for individual color part codes.
Quick Ship - reduces lead time - please call for availability (QSPRI)	\$370
Textured, Slip-Resistant Bottom - meets ASTM F-462-1994 (TXBTM)	\$75
Virtual Spout - high-flow integrated tub filler (FPMJ)	\$300 see p. C-11
Accessories & Hardware	
DRAIN KITS Cable Driven - Chrome (W OCD) \$305; Brushed Nickel (W O C D B N) \$375; Polished Nickel (W O C D P N) \$500; Oil-Rubbed Bronze (W O C D O R) \$500	
Decorative Towel Bar see p. C-17 Chrome (C H T O W E L), Brushed Nickel (B N T O W E L)	\$505
Concealed Blower Box see p. C-17 Oak (B B O A K), Cherry (B B C H), Maple (B B M A P)	\$895
Grab Bars - 9" Curved, set of 2 - see p. C-14 Acrylic - color-matched with tub - standard tub colors only (G B) \$290 Metal - Chrome (G B M C C), Brushed Nickel (G B M C B N)	\$320
Pillows - from	\$120 see p. C-14
Teak Tub Tray - Slatted (TK-TRAY1) or Solid (TK-TRAY2)	\$395 see p. C-15
Teak Bath Mat (TK-MAT3018)	\$410 custom sizes also available - see p. C-15



Inside view of tub.

Options Information

Radiance -

Integrated tub surface heating system designed to warm the interior surface of the bathing well. Utilizes electric heating grids for 2 zones; either both backrests or a single backrest and one seated area of the tub floor. See page C-5 for detailed specifications.



Chromotherapy -

Underwater lighting provided by two digitally controlled LED lights. A control button allows a selection of constant colors or preset programs to achieve the desired lighting effects & utilize these chromatic energy sources. See page C-6 for detailed specifications.



Virtual Spout -

Integrated high-flow filler spout that is factory-installed on the inside wall of the tub. See page C-11 for detailed specifications.



Decorative Towel Bar -

Heavy-duty towel bar is both decorative and functional. Manufactured of high-quality stainless steel for strength and durability. See page C-17 for detailed specifications.



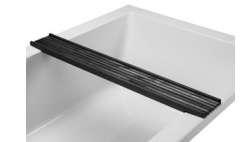
Concealed Air Blower Box -

Designed to hide air blower next to tub when ordered with an air bath package. If tub is ordered as a soaker, it can also be used to mount faucetry. See page C-17 for detailed specifications.



Teak Tub Tray -

Ideal surface for holding a book, beverage or bath accessories. Two styles available. See page C-15 for detailed specifications.



Teak Bath Mat -

Provides a slip-resistant surface to enter and exit the bath. Smooth, durable teak combines beauty with practicality. See page C-15 for detailed specifications.

