



Melinda 10 is a Clawfoot tub.  
Shown above with feet powder-coated in white.  
(white is available for an upcharge)

Designer Collection Tubs  
Model # 204

# Melinda 10

## 65.75" x 34" x 24"

**GENERAL SPECIFICATIONS:**

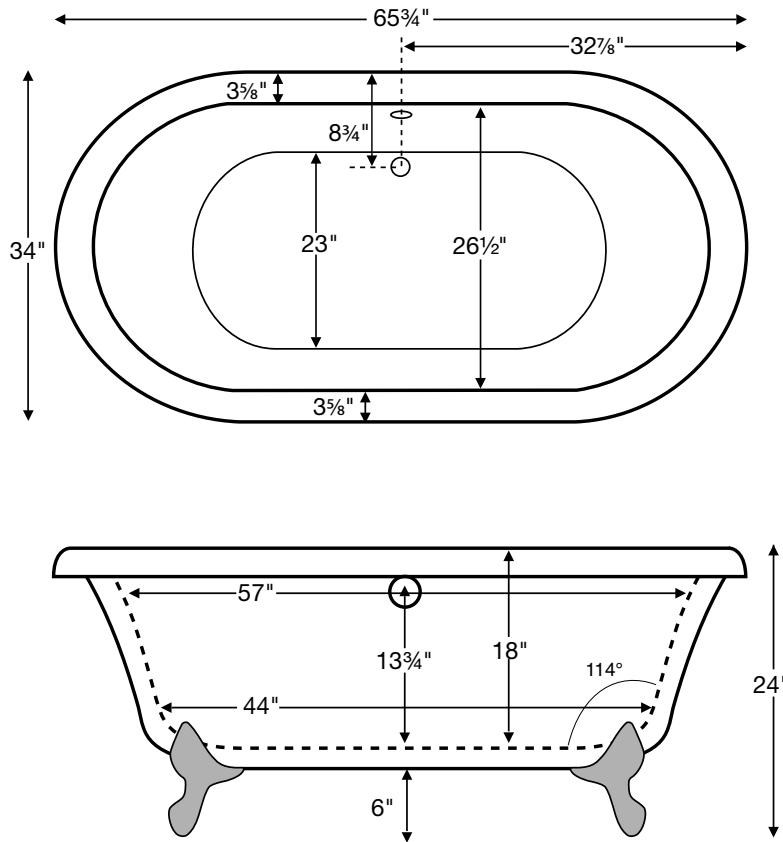
**Material** - Acrylic

**Installation** - Freestanding

**Soaker Weight** - 140 lbs / 64 kg

**Maximum Fill** - 80 gal to overflow

*NOTE: Filling this tub to the maximum may require an above average size or dedicated water heater.*




**IMPORTANT ORDERING & INSTALLATION INFORMATION:**

- Specifications and configurations are subject to change without notice.
- Measurements are ±1/2" and are subject to change without notice.
- Measurements herein supersede all others published prior to publication date shown below.

See the "Designer Collection Tubs Installation & Operation Manual" included with tub delivery or go to: [mtibaths.com/support/installation](http://mtibaths.com/support/installation) for all the information necessary to install and operate the tub.

MTI's Customer Service Department is available Monday-Friday 8am-6pm EST at 800-783-8827 or [customerservice@mtibaths.com](mailto:customerservice@mtibaths.com) to answer any questions pertaining to ordering or installation.



Hydrotherapy Packages	Package Contents	Part #	MSRP
 Soaker	Soaking bath - no jets; clawfoot tub.	<b>S204</b>	<b>\$4,815</b>

**Lead Time** - Soakers and Air Bath Packages - 7 business days

Standard Options
<b>Standard Colors:</b> White (CWH), Bone (CBN), Biscuit (CBS) <b>Color Upgrade:</b> (COL3) <b>\$880</b> , please call for availability of special colors
<b>Quick Ship</b> - reduces lead time - please call for availability (QSPRI) <b>\$380</b>
<b>Textured, Slip-Resistant Bottom</b> - meets ASTM F-462-1994 (TXBTM) <b>\$75</b>

Accessories & Hardware for All Packages
<b>Floor-Mounted High-Flow Tub Filler</b> - two designs available Contemporary - Chrome (FILLC) <b>\$2,055</b> Brushed Nickel (FILLBN) <b>\$2,220</b> Traditional - Chrome (FILLTC) <b>\$2,055</b> Brushed Nickel (FILLTBN) <b>\$2,220</b>
<b>Drain Kits</b> - other finishes also available  <b>Toe-Tap Design with Decorative Exposed Piping</b> - Purchase of MTI's drain kit is recommended to ensure a perfect fit. Chrome (DKSSCS) <b>\$805</b> Brushed Nickel (DKSSBNS) or Polished Nickel (DKSSPNS) <b>\$890</b>
<b>Pillows</b> - from <b>\$125</b> see pillows spec at: <a href="http://mtibaths.com/wp-content/uploads/2016/11/options-pillows.pdf">mtibaths.com/wp-content/uploads/2016/11/options-pillows.pdf</a>
<b>Clawfoot Colors</b> - Note: Special powder-coated colors require a minimum 14-day lead time. Chrome (CLAWC), Brushed Nickel (CLAWBN) - <b>no charge</b> Powder Coated White upcharge (CLAWWH) - <b>\$795</b> Additional Powder Coated Colors upcharge (CLAWSF) - <b>\$2,045</b> Availability based on the universal RAL color chart, see ralcolor.com. Please provide RAL color code on order.
<b>Pillows</b> - from <b>\$125</b> see pillows spec at: <a href="http://mtibaths.com/wp-content/uploads/2016/11/options-pillows.pdf">mtibaths.com/wp-content/uploads/2016/11/options-pillows.pdf</a>



Inside view of tub.



Inside view of tub.

