

# Charlotte (#400)

65.5" x 32" x 22.5"

**GENERAL SPECIFICATIONS:**

**Material** - Mineral Composite

**Installation** - Freestanding - *cannot be undermounted*  
*Not recommended as a tub / shower combination.*

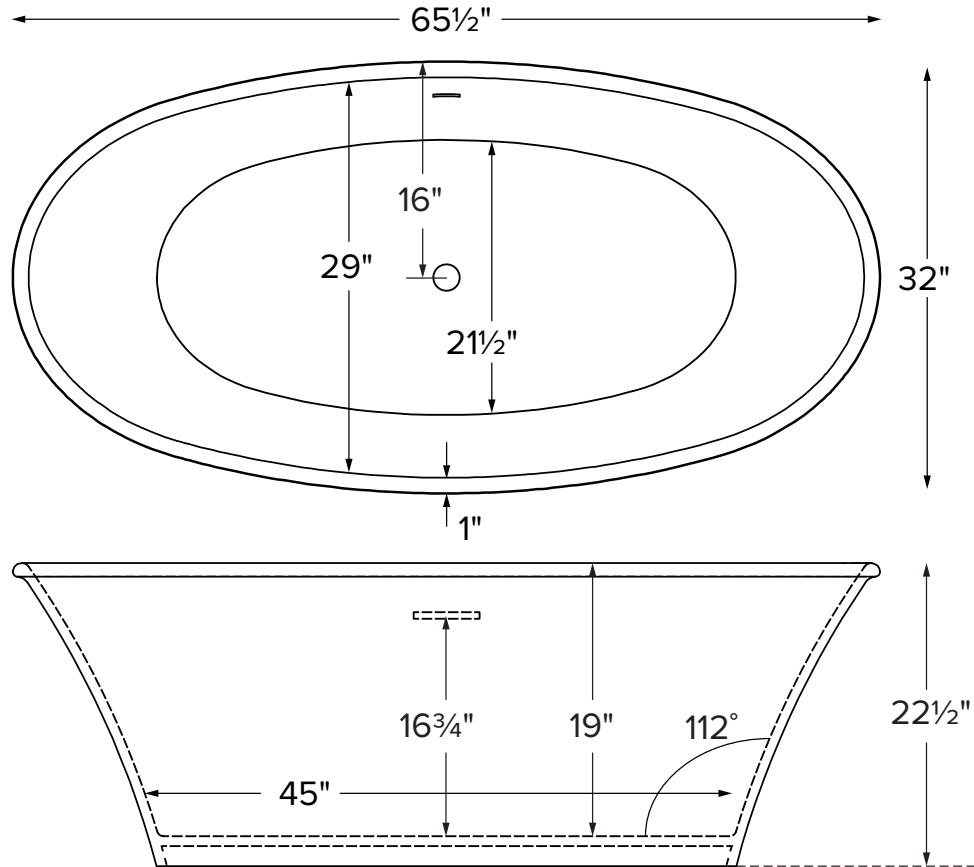
**Soaker Weight** - 160 lbs / 73 kg

**Maximum Fill** - 67 gal to overflow

**NOTE:** *Filling this tub to the maximum may require an above average size or dedicated water heater.*



Features an integrated slotted overflow.



**ELECTRICAL SPECIFICATIONS**

Required Electrical Service - 110 Volt

Air Bath - Heated Blower - 1-15 amp GFCI

CSA Certified C/US; ANSI Z124.1

CSA Certified C/US; ANSI 112.19.7

**IMPORTANT ORDERING & INSTALLATION INFORMATION:**

- Includes an integrated slotted overflow, which only requires drain installation. May also be specified without an overflow (see local codes).
- Air baths require job site preparations for remote mounting the blower and required check valve. Check valve must be installed higher than the rim of the tub. The keypad is shipped loose and may be mounted on a nearby wall or decking. A waterproof remote control is also included. Please read installation manual prior to ordering.
- Requires use of a wall-mounted or freestanding tub filler.
- Measurements are + 1/2" and are subject to change without notice.
- Options and accessories are packaged inside the tub crate for delivery.
- Data herein supersedes all prior to publication date shown below.

See the "Designer Collection Tubs Installation & Operation Manual" included with tub delivery or go to: [mtibaths.com/support/installation](http://mtibaths.com/support/installation) for all the information necessary to install and operate the tub. MTI's Customer Service Department is available Monday-Friday 8am-6pm EST at 800-783-8827 or [customerservice@mtibaths.com](mailto:customerservice@mtibaths.com) to answer any questions pertaining to ordering or installation.



| Package         | Package Contents   | Part #        | MSRP*          |
|-----------------|--|---------------|----------------|
| <b>Soaker</b>   | Soaking bath - no jets. Includes an integrated slotted overflow with toe-tap drain kit.                                | <b>S400</b>   | <b>\$5,095</b> |
| <b>Air Bath</b> | 20 air jets, heated air blower, keypad, waterproof remote control, integrated slotted overflow with toe-tap drain kit. | <b>AST400</b> | <b>\$8,395</b> |

\*Additional NET FREIGHT ADDER will apply.

Lead Time - 20 business days; soaker or air bath.

|   |
|---|
| <p><b>Color and Finish Options</b><br/>NOTE: Part codes for all options listed in parenthesis.</p> <p><b>Standard Colors:</b> White, gloss finish only.</p>   |
| <p><b>Optional Hardware</b></p> <p><b>Integrated Overflow and Toe-Tap Drain Kit Finishes</b><br/>PVC drain - White (included with tub)<br/>Chrome upgrade (MCIOC) <b>no charge</b><br/>Brushed Nickel upgrade (MCIOBN) <b>no charge</b><br/>Polished Nickel upgrade (MCIOPN) <b>no charge</b></p> <p><b>Floor-Mounted High-Flow Tub Filler</b> - Two designs available.<br/>Contemporary -<br/>Chrome (FILLC) <b>\$2,055</b><br/>Brushed Nickel (FILLBN) <b>\$2,220</b><br/>Traditional -<br/>Chrome (FILLTC) <b>\$2,055</b><br/>Brushed Nickel (FILLTBN) <b>\$2,220</b></p> <p><b>Faucet Stands</b> - Available in two styles &amp; multiple sizes.<br/><b>Standard Faucet Stand</b>, Matte Finish<br/>Small / 21.75" x 14.25" / 3-hole capacity - (STAND) <b>\$945</b><br/>Large / 21.75" x 22" / 5-hole capacity - (STANDL) <b>\$1,060</b><br/>Gloss Finish Upcharge (SSGLOSSSNK) <b>\$215</b><br/><b>Premium Faucet Stand</b><br/>39" h x 15" w - Matte - (SSFSR3915MT) <b>\$1,770</b><br/>Gloss - (SSFSR3915GL) <b>\$2,085</b><br/>39" h x 10" w - Matte - (SSFSR3910MT) <b>\$1,770</b><br/>Gloss - (SSFSR3910GL) <b>\$2,085</b><br/>23" h x 20" w - Matte - (SSFSR2320MT) <b>\$1,505</b><br/>Gloss - (SSFSR2320GL) <b>\$1,820</b><br/>23" h x 15" w - Matte - (SSFSR2315MT) <b>\$1,505</b><br/>Gloss - (SSFSR2315GL) <b>\$1,820</b></p> |

|   |
|---|
| <p><b>Standard Options and Accessories</b><br/>NOTE: Part codes for all options listed in parenthesis.</p> <p><b>Quick Ship</b> - Reduces lead time - please call for availability.<br/>(QSPRI2) <b>\$755</b></p> <p><b>Bathroom Table</b> - Constructed of SculptureStone®<br/>(TABLE) <b>\$965</b> available in white only<br/>Gloss Finish Upcharge (SSGLOSSSNK) <b>\$215</b></p> <p><b>SculptureStone® Tub Tray</b> - Available in white only.<br/>Solid without stemware holder (SSTRAY1) <b>\$440</b><br/>Solid with Stemware Holder (SSTRAY2) <b>\$440</b></p> <p><b>Teak Tub Tray</b> -<br/>Slatted (TK-TRAY1) <b>\$415</b><br/>Solid (TK-TRAY2) <b>\$415</b></p> <p><b>Teak Bath Mat</b> - Measures 30" x 17.5" x 1"<br/>(TK-MAT3018) <b>\$430</b><br/>Custom sizes also available, contact MTI for details.</p> |
|---|

For complete options information and specifications, visit [mtibaths.com](http://mtibaths.com).



Inside view of tub.

