

# Adeline

**64" x 31" x 21.375"**

**GENERAL SPECIFICATIONS:**

**Material** - Mineral Composite

**Installation** - Freestanding

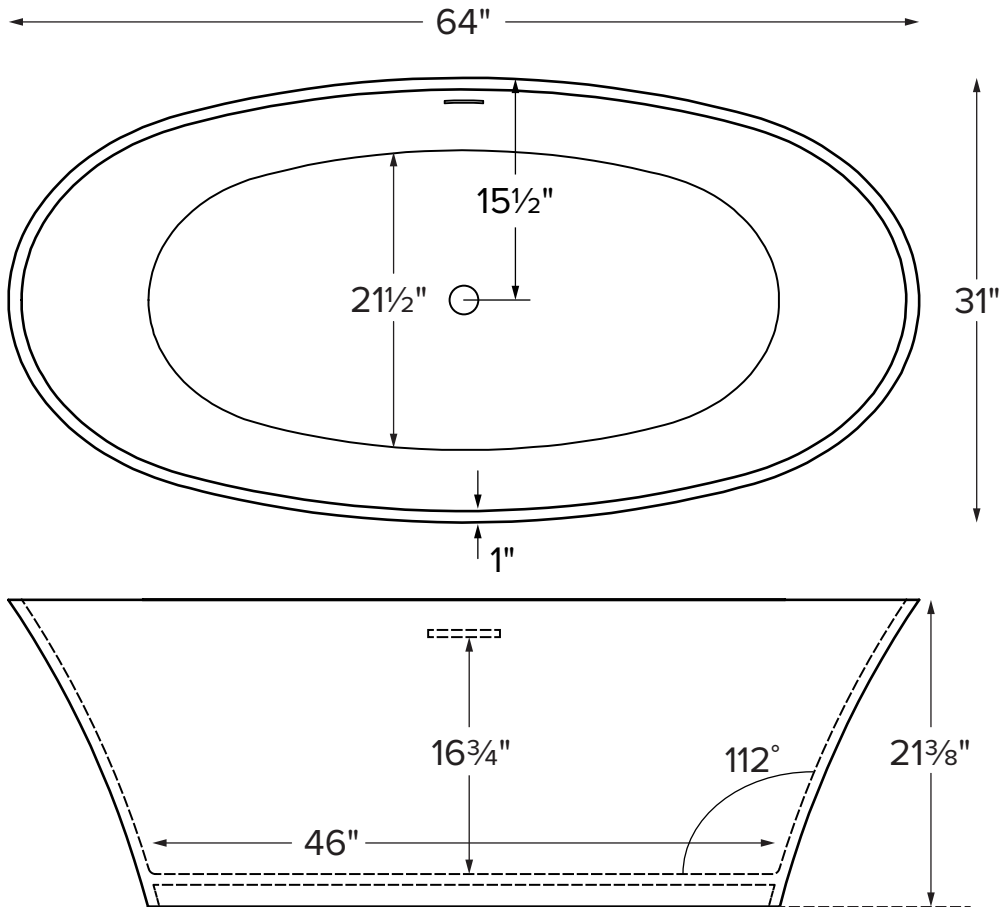
**Soaker Weight** - 280 lbs / 127 kg

**Maximum Fill** - 71 gal to overflow

*NOTE: Filling this tub to the maximum may require an above average size or dedicated water heater.*



Adeline features an integrated slotted overflow.



**ELECTRICAL COMPONENTS & SPECIFICATIONS**

**Required Electrical Service** - 110 Volt

Hydrotherapy Package	Components Included	GFCI
Air Massage	heated blower	1-15 amp

*For electrical requirements of tub options, see specific options specs*  
 CSA Certified C/US; ANSI Z124.1 for plastic tubs and ANSI 112.19.7 for whirlpool components.

See the "Designer Collection Tubs Installation & Operation Manual" included with tub delivery or go to:

[mtibaths.com/support/installation](http://mtibaths.com/support/installation)

for all the information necessary to install and operate the tub.

MTI's Customer Service Department is available Monday-Friday 8am-6pm EST at 800-783-8827 or [customerservice@mtibaths.com](mailto:customerservice@mtibaths.com) to answer any questions pertaining to ordering or installation.

CSA # MMTC-401  
 Effective 102918

**IMPORTANT ORDERING & INSTALLATION INFORMATION:**

- Includes an integrated slotted overflow, which only requires drain installation.
- Air baths require job site preparations for remote mounting the blower and required check valve. Check valve must be installed higher than the rim of the tub. The keypad is shipped loose and may be mounted on a nearby wall or decking. A waterproof remote control is also included. Please read installation manual prior to ordering.
- Measurements are  $\pm 1/2"$  and are subject to change without notice.
- Options and accessories are packaged inside the tub crate for delivery.
- Data herein supersedes all prior to publication date shown below.



# Designer Collection Tubs - Model # 401

**Adeline**  
64" x 31" x 21.375"

Package	Package Contents	Part #	MSRP
<b>Soaker</b>	Soaking bath - no jets. Includes an integrated slotted overflow with toe-tap drain kit.	<b>S401</b>	<b>\$5,095*</b>
<b>Air Bath</b>	20 air jets, heated air blower, keypad, waterproof remote control, integrated slotted overflow with toe-tap drain kit.	<b>AST401</b>	<b>\$8,395*</b>

**All prices are MSRP.**  
**\*Additional freight adder will apply.**

Lead Time - 10 business days; soaker or air bath.

## Color and Finish Options

NOTE: part codes for all options listed in parenthesis.

**Standard Colors:** White, gloss finish only

## Optional Hardware

### Integrated Overflow and Toe-Tap Drain Kit Finishes

- PVC drain - White (included with tub)
- Chrome upgrade (MCIOC) **no charge**
- Brushed Nickel upgrade (MCIOBN) **no charge**
- Polished Nickel upgrade (MCIOPN) **no charge**

### Floor-Mounted High-Flow Tub Filler - two designs available

- Contemporary -
  - Chrome (FILLC) **\$2,055**
  - Brushed Nickel (FILLBN) **\$2,220**
- Traditional -
  - Chrome (FILLTC) **\$2,055**
  - Brushed Nickel (FILLTBN) **\$2,220**

### Faucet Stands - Available in two styles & multiple sizes

- Standard Faucet Stand, Matte Finish**
  - Small / 21.75" x 14.25" / 3-hole capacity - (STAND) **\$945**
  - Large / 21.75" x 22" / 5-hole capacity - (STANDL) **\$1,060**
  - Gloss Finish Upcharge (SSGLOSSSNK) **\$215**
- Premium Faucet Stand**
  - 39" h x 15" w - Matte - (SSFSR3915MT) **\$1,770**
  - Gloss - (SSFSR3915GL) **\$2,085**
  - 39" h x 10" w - Matte - (SSFSR3910MT) **\$1,770**
  - Gloss - (SSFSR3910GL) **\$2,085**
  - 23" h x 20" w - Matte - (SSFSR2320MT) **\$1,505**
  - Gloss - (SSFSR2320GL) **\$1,820**
  - 23" h x 15" w - Matte - (SSFSR2315MT) **\$1,505**
  - Gloss - (SSFSR2315GL) **\$1,820**

## Standard Options and Accessories

NOTE: part codes for all options listed in parenthesis.

**Quick Ship** - reduces lead time - please call for availability  
(QSPRI2) **\$755**

**Bathroom Table** - Constructed of SculptureStone®  
(TABLE) **\$965** available in white only  
Gloss Finish Upcharge (SSGLOSSSNK) **\$215**

**SculptureStone® Tub Tray** - available in white only  
Solid without stemware holder (SSTRAY1) **\$440**  
Solid with Stemware Holder (SSTRAY2) **\$440**

**Teak Tub Tray** -  
Slatted (TK-TRAY1) **\$415**  
Solid (TK-TRAY2) **\$415**

**Teak Bath Mat** - Measures 30" x 17.5" x 1"  
(TK-MAT3018) **\$430**  
custom sizes also available, contact MTI for details

For complete options information and specifications, visit [mtibaths.com](http://mtibaths.com).



Inside view of tub.

