

Hudson (#404)

66" x 32" x 23"

GENERAL SPECIFICATIONS:

Material - Mineral Composite

Installation - Freestanding - *cannot be undermounted*
Not recommended as a tub / shower combination.

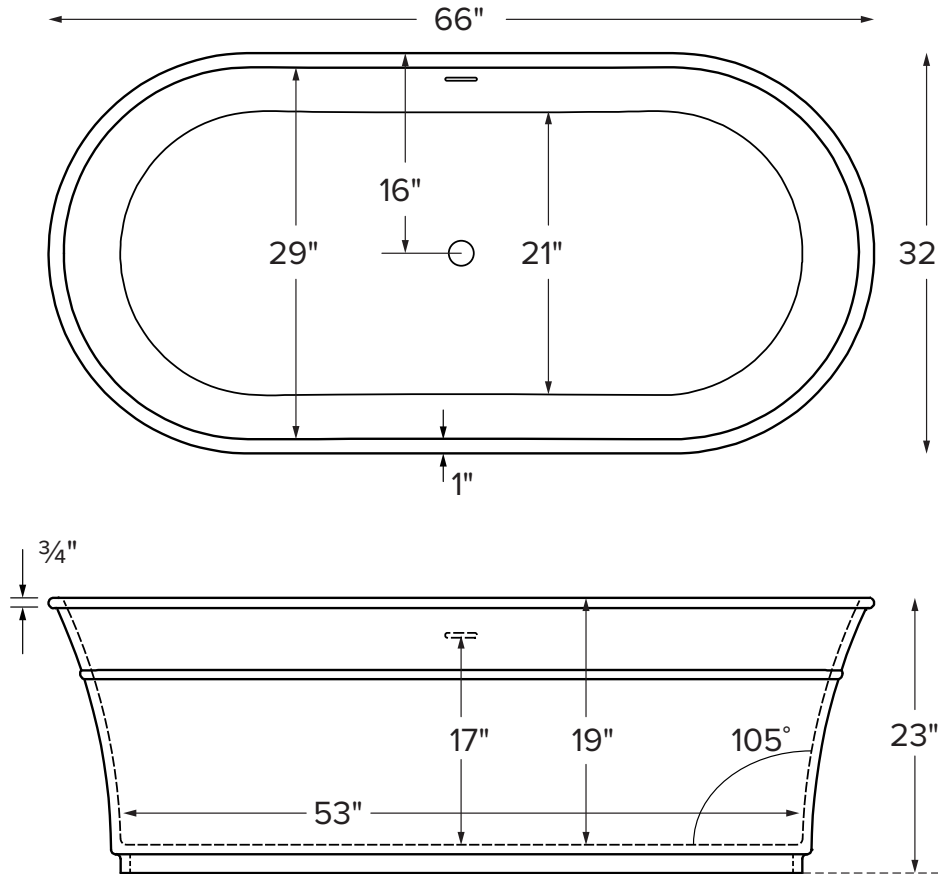
Soaker Weight - 208 lbs / 94 kg

Maximum Fill - 85 gal to overflow

NOTE: *Filling this tub to the maximum may require an above average size or dedicated water heater.*



Features an integrated slotted overflow.



ELECTRICAL SPECIFICATIONS

Required Electrical Service - 110 Volt

Air Bath - Heated Blower - 1-15 amp GFCI

CSA Certified C/US; ANSI Z124.1

CSA Certified C/US; ANSI 112.19.7

IMPORTANT ORDERING & INSTALLATION INFORMATION:

- Includes an integrated slotted overflow, which only requires drain installation. May also be specified without an overflow (see local codes).
- Air baths require job site preparations for remote mounting the blower and required check valve. Check valve must be installed higher than the rim of the tub. The keypad is shipped loose and may be mounted on a nearby wall or decking. A waterproof remote control is also included. Please read installation manual prior to ordering.
- Requires use of a wall-mounted or freestanding tub filler.
- Measurements are + 1/2" and are subject to change without notice.
- Options and accessories are packaged inside the tub crate for delivery.
- Data herein supersedes all prior to publication date shown below.

See the "Designer Collection Tubs Installation & Operation Manual" included with tub delivery or go to: mtibaths.com/support/installation for all the information necessary to install and operate the tub. MTI's Customer Service Department is available Monday-Friday 8am-6pm EST at 800-783-8827 or customerservice@mtibaths.com to answer any questions pertaining to ordering or installation.



Package	Package Contents	Part #	MSRP*
Soaker	Soaking bath - no jets. Includes an integrated slotted overflow with toe-tap drain kit.	S404	\$5,395
Air Bath	20 air jets, heated air blower, keypad, waterproof remote control, integrated slotted overflow with toe-tap drain kit.	AST404	\$8,695

*Additional NET FREIGHT ADDER will apply.

Lead Time - 20 business days; soaker or air bath.

Color and Finish Options
NOTE: Part codes for all options listed in parenthesis.
Standard Colors: White, gloss finish only.
Optional Hardware
Integrated Overflow and Toe-Tap Drain Kit Finishes PVC drain - White (included with tub) Chrome upgrade (MCIOC) no charge Brushed Nickel upgrade (MCIOPN) no charge Polished Nickel upgrade (MCIOPN) no charge
Floor-Mounted High-Flow Tub Filler - Two designs available. Contemporary - Chrome (FILLC) \$2,055 Brushed Nickel (FILLBN) \$2,220 Traditional - Chrome (FILLTC) \$2,055 Brushed Nickel (FILLTBN) \$2,220
Faucet Stands - Available in two styles & multiple sizes. Standard Faucet Stand , Matte Finish Small / 21.75" x 14.25" / 3-hole capacity - (STAND) \$945 Large / 21.75" x 22" / 5-hole capacity - (STANDL) \$1,060 Gloss Finish Upcharge (SSGLOSSSNK) \$215 Premium Faucet Stand 39" h x 15" w - Matte - (SSFSR3915MT) \$1,770 Gloss - (SSFSR3915GL) \$2,085 39" h x 10" w - Matte - (SSFSR3910MT) \$1,770 Gloss - (SSFSR3910GL) \$2,085 23" h x 20" w - Matte - (SSFSR2320MT) \$1,505 Gloss - (SSFSR2320GL) \$1,820 23" h x 15" w - Matte - (SSFSR2315MT) \$1,505 Gloss - (SSFSR2315GL) \$1,820

Standard Options and Accessories
NOTE: Part codes for all options listed in parenthesis.
Quick Ship - Reduces lead time - please call for availability. (QSPRI2) \$755
Bathroom Table - Constructed of SculptureStone® (TABLE) \$965 available in white only Gloss Finish Upcharge (SSGLOSSSNK) \$215
SculptureStone® Tub Tray - Available in white only. Solid without stemware holder (SSTRAY1) \$440 Solid with Stemware Holder (SSTRAY2) \$440
Teak Tub Tray - Slatted (TK-TRAY1) \$415 Solid (TK-TRAY2) \$415
Teak Bath Mat - Measures 30" x 17.5" x 1" (TK-MAT3018) \$430 Custom sizes also available, contact MTI for details.

For complete options information and specifications, visit mtibaths.com.



Inside view of tub.

