



# Adrian SR

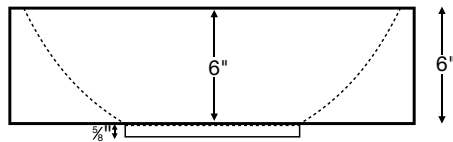
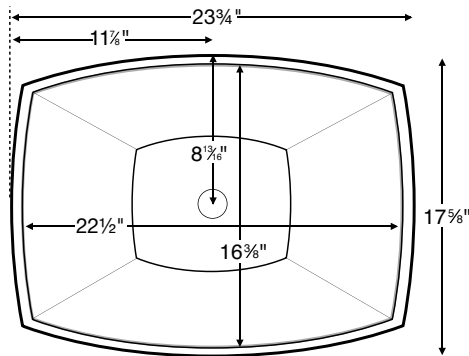
Model # MTCS-737

23.75" x 17.625" x 3"\*

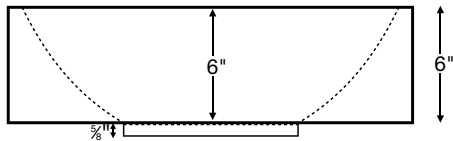
\*NOTE: Standard exterior sink height is 3".  
Custom height available up to 6" - see drawings below.  
Must specify when ordering.

Adrian is a semi-recessed sink.  
When ordered with standard exterior height as shown above,  
only 3" of the sink will rest on top of vanity.

**Installation:** semi-recessed  
**Lead Time - 10 Business Days**



Shown above with standard exterior height of 3"



Shown above with custom exterior height of 6"

NOTES: SINK IS SEMI-RECESSED. SINK MUST BE MEASURED ON-SITE TO ENSURE ACCURATE DIMENSIONS OF HOLE CUT-OUT. Measurements are  $\pm 1/2$ " and are subject to change without notice. Data herein supersedes all previous prior to publication date indicated below.

<b>Sink Options and Pricing</b> NOTE: part codes for all options listed in parenthesis.
<b>Part #: MTCS-737 - \$1,035</b>
<b>Standard Color</b> - White, matte finish <b>Biscuit Color Upgrade, matte finish</b> - (SSBISNK) <b>\$105</b>
<b>Optional Gloss Finish Upcharge</b> - For White or Biscuit (SSGLOSSNK) <b>\$215</b> Additional material colors available for projects only. Please call MTI.
<b>Exterior Color in Gloss only</b> - (SSCOLSG) <b>\$450</b> Must specify color code: Blue Lagoon (BL), Terracotta (TC), Onyx (OX), Nightfall (NF), Stormgray (SG), Moonstone (MS) See the colors at: <a href="http://mtibaths.com/about-products/sink-options/">mtibaths.com/about-products/sink-options/</a>
<b>Quick Ship</b> - reduces lead time - please call for availability (QUISINKSH) <b>\$190</b>

<b>Options and Accessories</b> NOTE: part codes for all options listed in parenthesis.
<b>Drain Kits -</b>
<b>Finger Touch Drain Without Overflow</b> Chrome (DKFGCN) <b>\$110</b> Brushed Nickel (DKFGBNN) <b>\$115</b>
<b>Grid Drain Without Overflow</b> Chrome (DKGDCN) <b>\$80</b> Brushed Nickel (DKGDBNN) <b>\$110</b>
<b>Fixed Drain Without Overflow</b> Chrome (DKFDC) <b>\$195</b>



Shown above with a maximum exterior height of 6".  
Note: a small portion of the sink bowl will extend below the vanity.  
Shown above with a maximum exterior height of 6".  
Note: a small portion of the sink bowl will extend below the vanity.

## CONSTRUCTION AND STANDARD FEATURES

- Adrian is a semi-recessed model, which allows only the top 3" of the sink to rest on the vanity.
- Standard exterior height is 3". For greater personalization, custom exterior height is available between 3"- 6". Must specify on order.
- Single-bowl design; 1.5" drain opening.
- Sink has no overflow. Requires vessel-style drain kit without overflow. Check local codes.
- One-piece construction using Engineered Solid Stone (ESS) material, which is solid through and through.

- ESS is a mixture of ground natural materials and binding agents that are liquefied, poured and then hardened.
- This material is non-porous, stain-, mold- and mildew-resistant, making cleaning and maintenance easy.
- Approximately 65% of the material is organic, including minerals mined from the earth, making it "Green".
- Same material and color all the way through, with minor variations due to use of natural minerals.
- Five-Year Limited Residential Warranty.
- Shipping weight: 40 lbs.

