

Boutique Collection Sinks

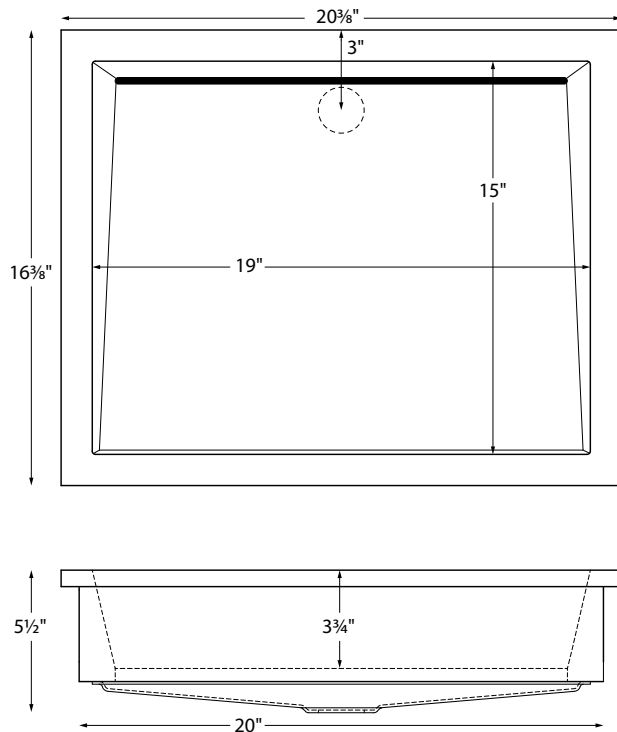
Incline

Model # MTCS-763

20³/₈" x 16³/₈" x 5¹/₂"

Installation: Undermount only

Lead Time - 10 Business Days



NOTES: Sink is undermount only and due to the handmade nature of this product, must be measured on site for proper cut-out size and installation. Measurements are $\pm 1/2$ " and are subject to change without notice. Data herein supersedes all previous prior to publication date indicated below.

Sink Options and Pricing

NOTE: part codes for all options listed in parenthesis.

Part #: MTCS-763 - \$1,285

Standard Color - White, matte finish

Biscuit Color Upgrade, matte finish - (SSBISNK) \$105

Optional Gloss Finish Upcharge - For White or Biscuit

(SSGLOSSNK) **\$215**

Additional material colors available for projects only. Please call MTI.

Quick Ship - reduces lead time - please call for availability

(QUISINKSH) **\$190**

Options and Accessories

NOTE: part codes for all options listed in parenthesis.

Drain Kit - Included with sink along with a trough for attachment to the bottom of the sink

CONSTRUCTION AND STANDARD FEATURES

- The Incline is an undermount only sink, with a slotted drain at the rear of the bowl and no overflow.
- Includes a separate trough for attaching the included drain kit to the bottom of the sink. See installation manual for more details.
- One-piece construction using SculptureStone material, which is solid through and through.
- SculptureStone is a mixture of ground natural materials and binding agents that are liquefied, poured and then hardened.
- This material is non-porous, stain-, mold- and mildew-resistant, making cleaning and maintenance easy.
- Approximately 65% of the material is organic, including minerals mined from the earth, making it "Green".
- Same material and color all the way through, with minor variations due to use of natural minerals.
- Five-Year Limited Residential Warranty.
- Shipping weight: 35 lbs.