

Caribe

78.25" x 46.75" x 22"



Caribe is an overflow tub which features a water canal with 2 drains around the perimeter.

GENERAL SPECIFICATIONS:

Material - Acrylic

Installation - Drop-in or Undermount
Not recommended as a tub / shower combination.

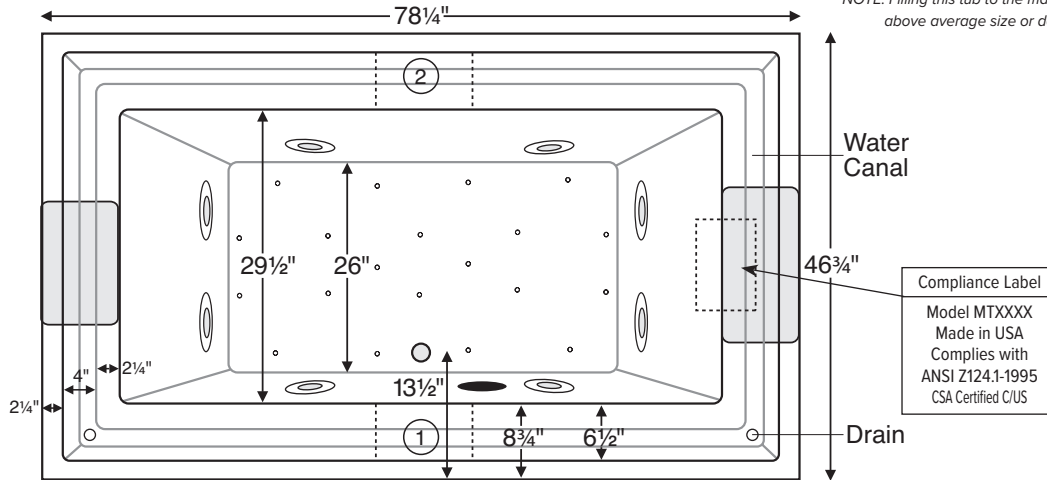
Plumbed Weight - 180 lbs / 82 kg

Soaker Weight - 135 lbs / 61 kg

Average Fill - 56 gal to above jet level

Maximum Fill - 103 gal to overflow

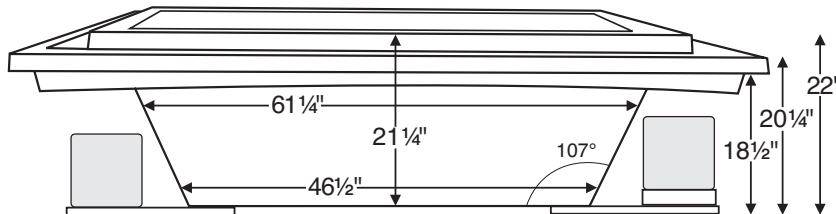
NOTE: Filling this tub to the maximum may require an above average size or dedicated water heater.



Dotted lines indicate a raised surface 'deck' area which is necessary when a whirlpool is ordered.

When an air system is ordered and no deck plugs are desired, the air system control pad must be mounted adjacent to the tub and is shipped loose. In this case, the Virtual Spout option is recommended as a filler solution.

Shown with Air Massage and Ultra Whirlpool Package.



IMPORTANT:
Air baths and tubs with a pre-leveled foam base add 2-3" to overall tub height.

ELECTRICAL COMPONENTS & SPECIFICATIONS		
Required Electrical Service - 110 Volt		
Hydrotherapy Package	Components Included	GFCI
Standard Whirlpool	2-bhp pump, inline heater	2-15 amp
Ultra Whirlpool	3-bhp pump, inline heater	2-15 amp
Air Massage	heated blower	1-15 amp
Air Massage Elite	heated blower, chromatherapy	1-15 amp
Air Massage with Standard Whirlpool	2-bhp pump, inline heater, heated blower	1-15 amp 1-20 amp
Air Massage with Ultra Whirlpool	3-bhp pump, inline heater, heated blower	2-20 amp
Air Massage Elite with Standard Whirlpool	2-bhp pump, inline heater, heated blower, chromatherapy	1-15 amp 1-20 amp
Air Massage Elite with Ultra Whirlpool	3-bhp pump, inline heater, heated blower, chromatherapy	2-20 amp

For electrical requirements of tub options, see specific options specs
CSA Certified C/US; ANSI Z124.1 for plastic tubs and ANSI 112.19.7 for whirlpool components.

IMPORTANT ORDERING & INSTALLATION INFORMATION:

- Before ordering or installing, please consider future access to equipment.
- Add bedding compound to fully level and support bottom of tub.
- Tubs equipped with an air bath or a pre-leveled foam base are designed to rest on the floor *without* bedding compound, provided the floor is level.
- **Overall tub height is increased by approx. 2-3" when tub is equipped with any air bath package or when pre-leveled foam base or frame system is ordered.**
- Please measure tub **on-site** before building tub decking.
- If you are planning to use a glass enclosure, MTI must be advised when ordering for possible relocation of controls.
- Suction and control locations may vary.
- Specifications and configurations are subject to change without notice.
- Measurements are $\pm 1/2"$ and are subject to change without notice.
- Measurements herein supersede all others published prior to publication date shown below.










See the "Designer Collection Tubs Installation & Operation Manual" included with tub delivery or go to mtibaths.com/support/installation_operation/manuals for all the information necessary to install and operate the tub.

MTI's Customer Service Department is available Monday-Friday 8am-6pm EST at 800-783-8827 or customerservice@mtibaths.com to answer any questions pertaining to ordering or installation.



Packages and Pricing

For more information on any of the following packages, please visit: mtibaths.com/about-mti/therapies-for-wellness/

Hydrotherapy Packages	Package Contents	Part #	MSRP
 Soaker	Soaking bath - no jets; includes toe-tap drain kit in chrome	S89-DI	\$3,245
		S89-UM	
 Air Massage	20 air jets, heated air blower, pre-leveled foam base (increases overall height 2-3"); includes toe-tap drain kit in chrome	AST89-DI	\$5,945
		AST89-UM	
 Air Massage Elite	30 air jets, heated air blower, Chromotherapy LED lighting, Spa Mode, pre-leveled foam base (increases overall height 2-3"); includes toe-tap drain kit in chrome	AE89-DI	\$7,605
		AE89-UM	
 Standard Whirlpool	6 point-massage jets, 2-bhp pump, inline heater; includes toe-tap drain kit in chrome	P89-DI	\$5,460
		P89-UM	
 Ultra Whirlpool	8 point-massage jets, 3-bhp pump, inline heater, Ozone; includes toe-tap drain kit in chrome	P89U-DI	\$6,225
		P89U-UM	
 Air Massage with Standard Whirlpool	6 point-massage jets, 2-bhp pump, inline heater, 20 air jets, heated air blower, pre-leveled foam base (increases overall height 2-3"); includes toe-tap drain kit in chrome	AW89-DI	\$7,895
		AW89-UM	
 Air Massage with Ultra Whirlpool	8 point-massage jets, 3-bhp pump, inline heater, 20 air jets, heated air blower, Ozone, pre-leveled foam base (increases overall height 2-3"); includes toe-tap drain kit in chrome	AU89-DI	\$8,650
		AU89-UM	
 Air Massage Elite with Standard Whirlpool	6 point-massage jets, 2-bhp pump, inline heater, 30 air jets, heated air blower, Chromotherapy LED lighting, Spa Mode, pre-leveled foam base (increases overall height 2-3"); includes toe-tap drain kit in chrome	AEAP89-DI	\$9,975
		AEAP89-UM	
 Air Massage Elite with Ultra Whirlpool	8 point-massage jets, 3-bhp pump, inline heater, 30 air jets, heated air blower, Ozone, Chromotherapy LED lighting, Spa Mode, pre-leveled foam base (increases overall height 2-3"); includes toe-tap drain kit in chrome	AEAP89U-DI	\$10,615
		AEAP89U-UM	

Lead Time - Soakers, Stream Bath and Whirlpool Packages - 5 business days
Air Baths and Combo Packages - 7 business days

NOTES: • Aromatherapy is eliminated for undermount applications
• Air Baths, Pre-Leveled Foam Base or Frame Systems increase overall height by 2-3".

RECOMMENDED SENSORY THERAPIES

SEE NEXT PAGE FOR AN OVERVIEW OF AVAILABLE OPTIONS.



Chromotherapy
Underwater lighting is provided by digitally controlled LEDs. Different colors are thought to have different therapeutic effects.

LE - \$590



Audiotherapy
Stereo H₂O lets you "feel" the music through the bath water. Available with Bluetooth system or transducers with leads to connect to an external system.

STEREOH202 - \$1,100
STEREOBT - \$1,200



Thermotherapy
Radiance uses integrated radiant heat to warm the backrest for neck, shoulders and back. Inline heaters maintain bath water temperature.

RAD100 - \$1,050
HTISOAK - \$730



Microbubbles
For wellness and beauty, billions of the tiniest air bubbles saturate the water with dissolved oxygen to moisturize and soften the skin. Available for soakers and air baths.

MICRO - \$1,995



Options and Pricing

For more information on any of the following options, please visit: mtibaths.com/about-products/tub-options/

Premium Options
NOTE: part codes for all options listed in parenthesis.
Microbubbles - Available on Soakers and Air Baths only (MICRO) \$1,995
Radiance - integrated tub shell heating system (RAD100) \$1,050
Chromatherapy - Included in some hydrotherapy packages underwater LED lighting (LE) \$590
Stereo H₂O - Standard System - includes 4 integrated audio transducers with leads to connect to an external audio source (STEREOH202) \$1,100 Bluetooth System - integrated Bluetooth system allows you to directly connect to an applicable device (STEREOBT) \$1,200
Standard Options
Standard Colors: White (CWH), Bone (CBN), Biscuit (CBS) Color Upgrade: (COL2) \$450 , please call for availability of special colors
Quick Ship - reduces lead time - please call for availability (QSPRI) \$370
Textured, Slip-Resistant Bottom - meets ASTM F-462-1994 (TXBTM) \$75
Virtual Spout - high-flow integrated tub filler (FPMJ) \$300
Inline Heater - included in some hydrotherapy packages For whirlpools or Stream Bath (HTI) \$530 Uses existing pump Soaker or Air Baths (HTISOAK) \$730 Includes a recirculating pump.
Installation Aids
Tile Flange must specify flange location(s) on order Note: Tile flange not available with Low-Profile Rim option. Factory-Installed on 3 sides - rigid ABS (TFK3) \$185 Field Install Kit - includes rigid ABS & adhesive (TFKNI) \$170
Pre-Leveled Foam Base - for soaker or whirlpools (PLFOAM) \$170

Accessories & Hardware for All Packages
Drain Kits - other finishes also available
Toe-Tap Drain Kit - Chrome - included with tub Brushed Nickel upcharge (WOCARIBEBN) \$95 Special Finish upcharge (WOCARIBESF) \$760
Pillows - from \$120 see pillows spec at: mtibaths.com/wp-content/uploads/2016/11/options_pillows.pdf
Teak Tub Tray - Slatted (TK-TRAY1) or Solid (TK-TRAY2) \$395
Teak Bath Mat (TK-MAT3018) \$410 custom sizes also available
Accessories & Cleaning Systems for Whirlpool Packages
Trim Kits - must be ordered at time of purchase; other finishes available Standard Whirlpool - Chrome (TRC) \$230 ; Brushed Nickel (TRBN) \$580 Ultra Whirlpool - Chrome (TRCU) \$310 ; Brushed Nickel (TRBNU) \$790
Pump Upgrade - 3-bhp (PUMP3) \$240
Additional Jet Options see jet options spec at mtibaths.com
Whirlpool Cleaning Systems - Fill-Flush (FFSO) \$575 ; Simple Touch (FFE) \$690
Ozonator - bath water purification system (OZONE) \$520



Caribe

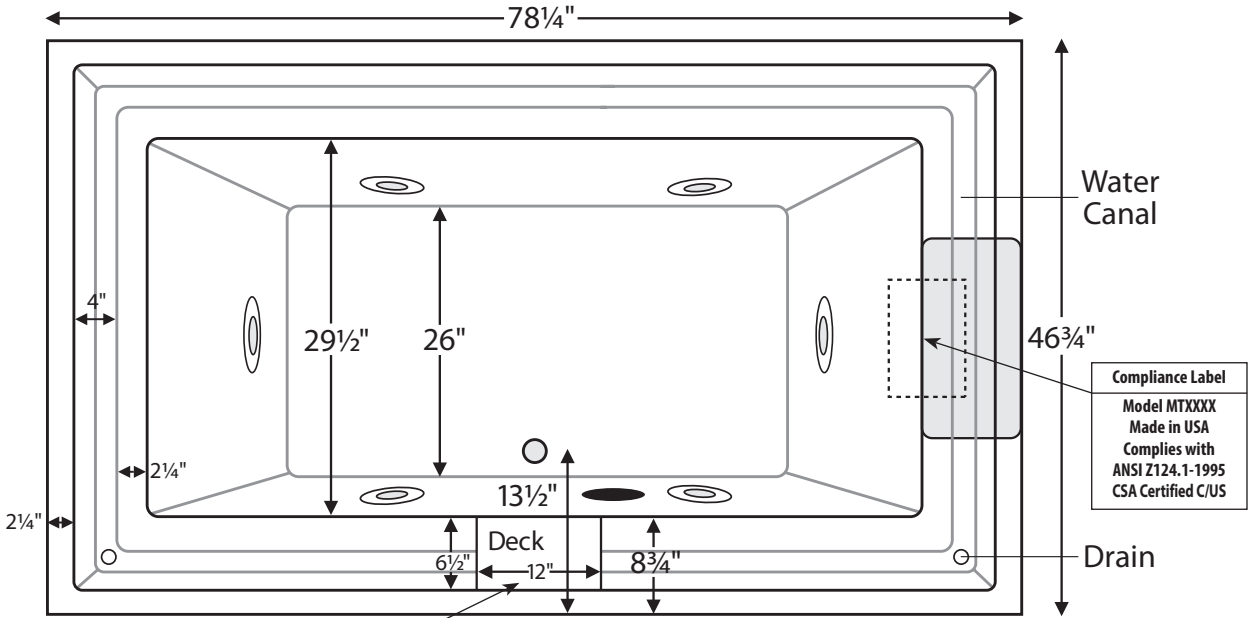
(Continued) with Optional Single Deck

SINGLE MOUNTING DECK FEATURES

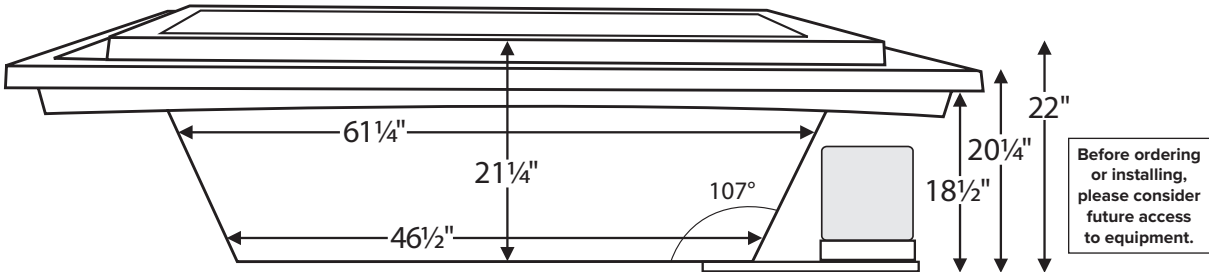
- In order to accommodate the installation of various fixtures and controls, Caribe may be ordered with a single mounting deck.
- This 12" x 6½" deck is positioned in the center of the water canal.
- It may be positioned on either the front or rear side of the tub.
- This provides a mounting surface for spout and hot and cold mixing valves, if they are not wall-mounted.
- If the spout and valves are wall-mounted, the deck would accommodate controls for the whirlpool and / or air bath.
- A deck is **required** for mounting the whirlpool controls.
- Deck does not interrupt the operation of the overflow function.
- If more mounting space is required, see reverse side for Caribe with Dual Decks.
- **Must be specified at the time of ordering.**



Caribe shown above with single mounting deck.



Solid raised deck provides a mounting area for fixtures and controls, such as Fill-Flush® or Breda backflow prevention valve.



IMPORTANT: If you are planning to use a glass enclosure, MTI must be advised when ordering for possible relocation of controls.



Caribe

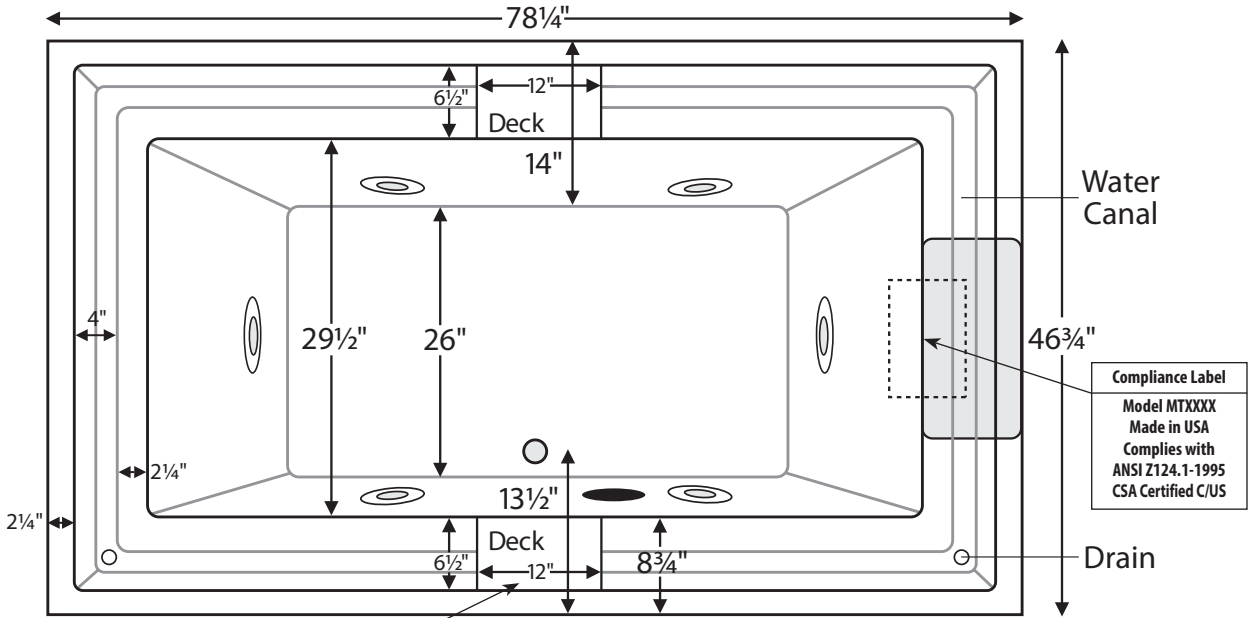
(Continued) with Optional Dual Deck



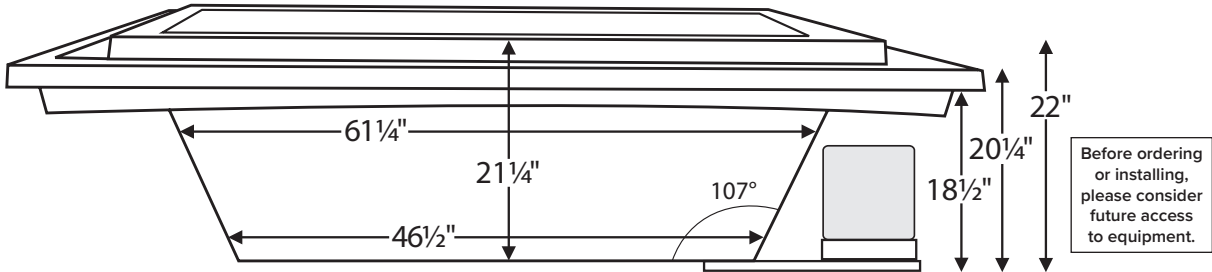
Caribe shown above with dual mounting decks.

DUAL MOUNTING DECKS FEATURES

- In order to accommodate the installation of various fixtures and controls, Caribe may be ordered with dual mounting decks.
- These 12" x 6½" decks are positioned in the center of the water canal.
- One is located at the front of the tub, the second at the rear.
- Two decks are necessary when space for fixtures and multiple controls is required.
 - One deck would provide a surface for the spout and hot and cold mixing valves.
 - The second deck would house the air bath and / or whirlpool controls.
- A deck is **required** for mounting the whirlpool controls.
- Decks do not interrupt the operation of the overflow function.
- If less mounting space is required, see reverse side for Caribe with Single Deck.
- **Must be specified at the time of ordering.**



Solid raised deck provides a mounting area for fixtures and controls, such as Fill-Flush® or Breda backflow prevention valve.



IMPORTANT: If you are planning to use a glass enclosure, MTI must be advised when ordering for possible relocation of controls.

