



Features integral front skirting, armrests & tile flange on 3 sides.

MBIS7236

Integral-Skirted Tub

72.25" x 36.25" x 21"

Installation: Alcove

GENERAL SPECIFICATIONS:

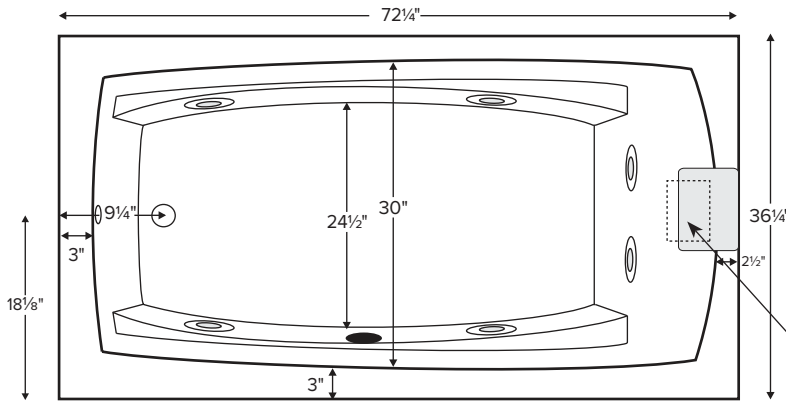
- Material**Acrylic
- Plumbed Weight**..... 150 lbs / 68 kg
- Soaker Weight**.....125 lbs / 57 kg
- Average Fill**.....45 gal to above jet level
- Maximum Fill**.....90 gal to overflow

NOTE: Filling this tub to the maximum may require an above average size or dedicated water heater.

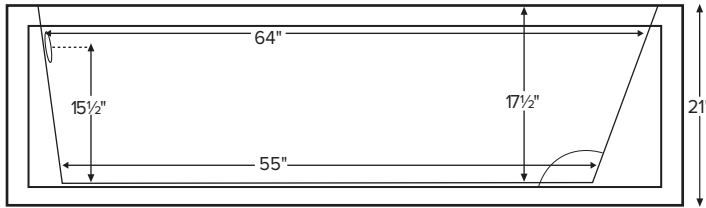
ELECTRICAL SPECIFICATIONS:

- Required Electrical Service**..... 110 Volt
- Air Bath or Whirlpool**.....1-15 amp GFCI
- Whirlpool with Inline Heater**.....1-15 amp GFCI
- Soaker with Inline Heater**.....1-15 amp GFCI
- Air Bath with Inline Heater**..... 2-15 amp GFCI

CSA Certified C/US; ANSI Z124.1 for plastic tubs and ANSI 112.19.7 for whirlpool components.



Shown with Whirlpool Package.



Available with left- or right-hand drain location.
Must specify on order.



front view of tub with non-removable front panel*
**Note: when ordered with an air bath or whirlpool, panel is removable.*

PACKAGES AND OPTIONS

| Hydrotherapy Package | Package Contents | Part # |
|----------------------|---|------------------|
| Soaker | soaking bath - no jets; integral front skirting, 3-sided integral tile flange, textured bottom, pre-leveled foam base | MBSIS7236 |
| Whirlpool | 6 point-massage jets, 1-bhp pump, integral front skirting, 3-sided integral tile flange, textured bottom, pre-leveled foam base | MBWIS7236 |
| Air Bath | 12 air jets, heated air blower, integral front skirting, 3-sided integral tile flange, textured bottom, pre-leveled foam base | MBAIS7236 |

OPTIONS

Standard Colors - White

Color Upgrade - Biscuit (MTISCOLOR)

Quick Ship - reduces lead time - call for availability

Inline Heater - Whirlpool (HTRMTIS)

Inline Heater with Pump - Soaker or Air Bath (MBHTISOAK)

Lift & Turn Drain Kit -

Chrome (MBWOC); Brushed Nickel (MBWOBN), White (MBWOW)

IMPORTANT INFORMATION

- Before ordering or installing, please consider future access to equipment.
- Jet, pump & blower locations are predetermined and cannot be changed.
- Suction and control locations may vary.
- Options listed cannot be combined with Designer Collection options.
- Specifications and configurations are subject to change without notice.
- Measurements are ±1/2" and are subject to change without notice.
- Measurements herein supersede all others published prior to publication date shown below.

