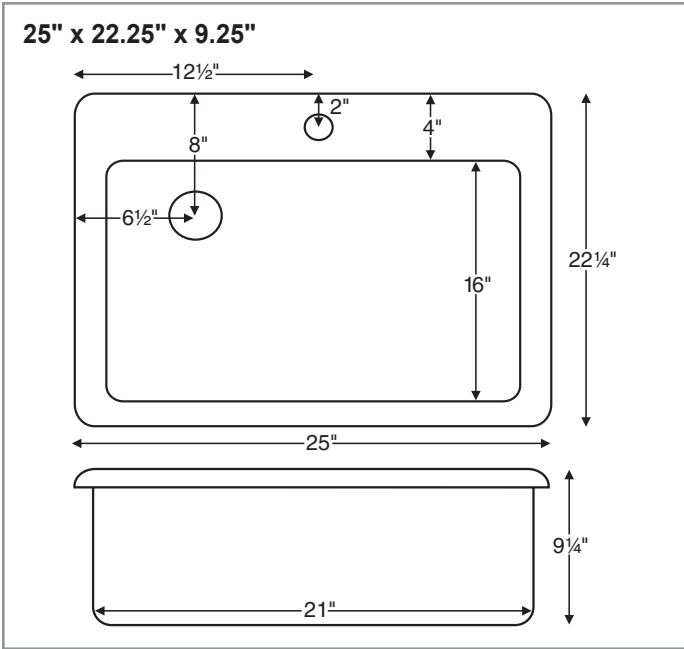


CONSTRUCTION AND STANDARD FEATURES

- Single-bowl design; 3.5" drain opening pre-drilled.
- Can be undermounted or caulked directly to the countertop without the use of clips or channels.
- No holes drilled standard; up to 4 holes drilled by MTI at no additional charge.
- Durable Lucite® cast acrylic shell is extremely scratch- and stain-resistant yet renewable because the color goes all the way through the material.
- Non-porous surface makes cleaning and sanitizing faster and more effective.
- Multi-layered reinforced backing of thick fiberglass / resin / titanium.
- Up to 30% thicker and stronger than other makes.
- 1-year limited residential and commercial warranty.



MBKS40

AVAILABLE COLORS

- White - Part # MBKS40W
- Bone, Biscuit - Part # MBKS40B
- Black, Sterling Silver - Part # MBKS40GRP1

OPTIONS

Quick Ship / Priority. Call for availability. - Part #: QUISINKSH
Shipping Weight: 15 lbs

NOTES: Measurements are ±1/2" and are subject to change without notice. Data herein supersedes all previous prior to publication date indicated below.

NOTES: Measurements are ±1/2" and are subject to change without notice. Data herein supersedes all previous prior to publication date indicated below.

