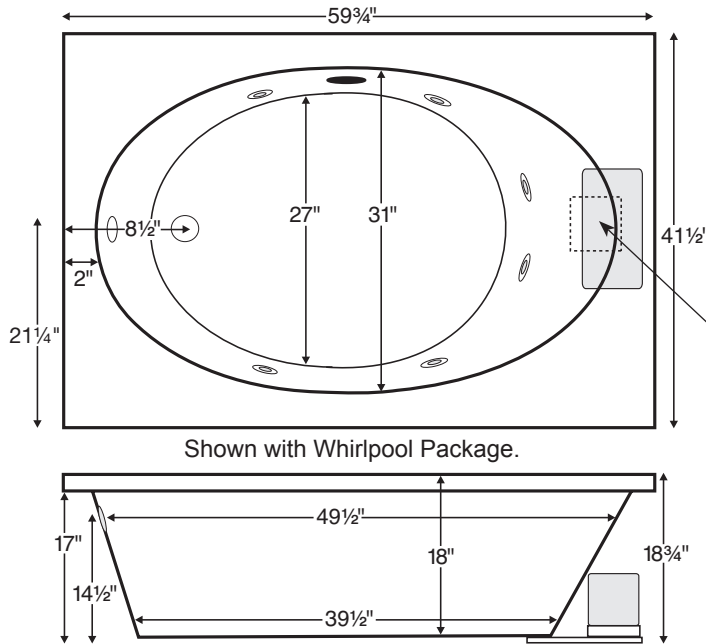


MBRO6042E

59.75" x 41.5" x 18.75"

Installation: Drop-in

cannot be undermounted



GENERAL SPECIFICATIONS:

- Material** Acrylic
- Plumbed Weight** 125 lbs / 57 kg
- Soaker Weight** 100 lbs / 45 kg
- Average Fill** 30 gal to above jet level
- Maximum Fill** 56 gal to overflow

NOTE: Filling this tub to the maximum may require an above average size or dedicated water heater.

ELECTRICAL SPECIFICATIONS:

- Required Electrical Service** 110 Volt
- Air Bath or Whirlpool** 1-15 amp GFCI
- Whirlpool with Inline Heater** 1-15 amp GFCI
- Soaker with Inline Heater** 1-15 amp GFCI
- Air Bath with Inline Heater** 2-15 amp GFCI

CSA Certified C/US; ANSI Z124.1 for plastic tubs and ANSI 112.19.7 for whirlpool components.

Compliance Label
 Model MTXXXX
 Made in USA
 Complies with
 ANSI Z124.1-1995
 CSA Certified C/US

PACKAGES AND OPTIONS

Hydrotherapy Package	Package Contents	Part #
Soaker	soaking bath - no jets, textured bottom	MBSRO6042E
Whirlpool	6 point-massage jets, 1-bhp pump, textured bottom	MBWRO6042E
Air Bath	12 air jets, heated air blower, textured bottom, pre-leveled foam base (increases overall height 2-3")	MBARO6042E

OPTIONS

- Standard Colors** - White
- Color Upgrade** - Biscuit (MTISCOLOR)
- Quick Ship** - *reduces lead time - call for availability*
- Inline Heater** - Whirlpool (HTRMTIS)
- Inline Heater with Pump** - Soaker or Air Bath (MBHTISOAK)
- Lift & Turn Drain Kit** -
 Chrome (MBWOC); Brushed Nickel (MBWOBN), White (MBWOW)

- Tile Flange** - Factory-Installed - 1 side (MBTFK); 2 sides (MBTFK2); 3 sides (MBTFK3)
- Pre-Leveled Foam Base** (MBPLFOAM) *standard with Air Bath*
- Pre-Leveled Frame & Foam Base** (MBPLF)
- Pre-Leveled Frame & Foam Base with Skirting** -
 Acrylic Raised Panel-Look with Fixed Panels (MBFSKAO5)
 Acrylic Raised Panel-Look with Removable Panels (MBFSKAR5)

IMPORTANT INFORMATION

- Before ordering or installing, please consider future access to equipment.
- Add bedding compound to fully level and support bottom of tub.
- Tubs equipped with an air bath or a pre-leveled foam base are designed to rest on the floor *without* bedding compound, provided the floor is level.
- Overall tub height is increased by approx. 2-3" when tub is equipped with any air bath package or when pre-leveled foam base or framing system is ordered.
- Please measure tub **on-site** before building tub decking.
- Jet, pump & blower locations are predetermined and cannot be changed.
- Suction and control locations may vary.
- Options listed cannot be combined with Designer Collection options.
- Specifications and configurations are subject to change without notice.
- Measurements are ±1/2" and are subject to change without notice.
- Measurements herein supersede all others published prior to publication date shown below.

