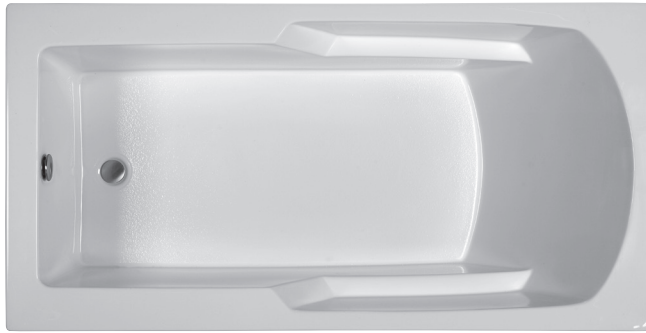


# MBRR6634E

65.75" x 33.75" x 19.5"

**Installation:** Drop-in

*cannot be undermounted*



Features integral armrests.

**GENERAL SPECIFICATIONS:**

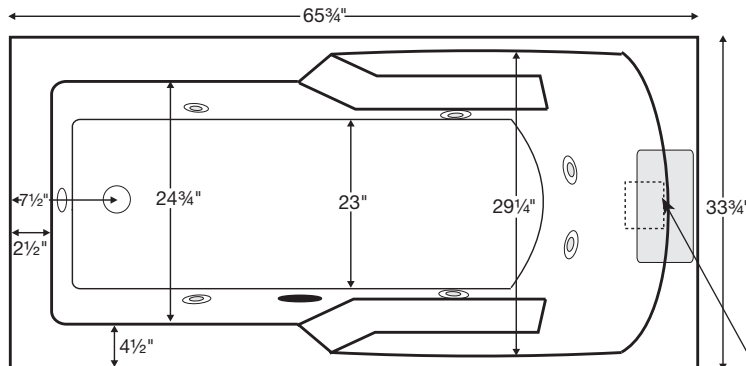
<b>Material</b>	Acrylic
<b>Plumbed Weight</b>	140 lbs / 64 kg
<b>Soaker Weight</b>	115 lbs / 52 kg
<b>Average Fill</b>	30 gal to above jet level
<b>Maximum Fill</b>	80 gal to overflow

*NOTE: Filling this tub to the maximum may require an above average size or dedicated water heater.*

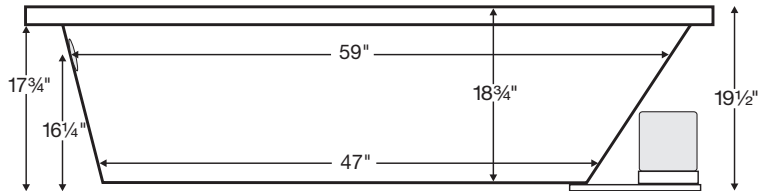
**ELECTRICAL SPECIFICATIONS:**

<b>Required Electrical Service</b>	110 Volt
<b>Air Bath or Whirlpool</b>	1-15 amp GFCI
<b>Whirlpool with Inline Heater</b>	1-15 amp GFCI
<b>Soaker with Inline Heater</b>	1-15 amp GFCI
<b>Air Bath with Inline Heater</b>	2-15 amp GFCI

CSA Certified C/US; ANSI Z124.1 for plastic tubs and ANSI 112.19.7 for whirlpool components.



Shown with Whirlpool Package.



Compliance Label  
Model MTXXXX  
Made in USA  
Complies with  
ANSI Z124.1-1995  
CSA Certified C/US

**PACKAGES AND OPTIONS**

Hydrotherapy Package	Package Contents	Part #
<b>Soaker</b>	soaking bath - no jets, textured bottom	<b>MBSRR6634E</b>
<b>Whirlpool</b>	6 point-massage jets, 1-bhp pump, textured bottom	<b>MBWRR6634E</b>
<b>Air Bath</b>	12 air jets, heated air blower, textured bottom, pre-leveled foam base (increases overall height 2-3")	<b>MBARR6634E</b>

**OPTIONS**

- Standard Colors** - White
- Color Upgrade** - Biscuit (MTISCOLOR)
- Quick Ship** - reduces lead time - call for availability
- Inline Heater** - Whirlpool (HTRMTIS)
- Inline Heater with Pump** - Soaker or Air Bath (MBHTISOAK)
- Lift & Turn Drain Kit** -  
Chrome (MBWOC); Brushed Nickel (MBWOBN), White (MBWOW)

**Tile Flange -**

Factory-Installed - 1 side (MBTFK); 2 sides (MBTFK2); 3 sides (MBTFK3); Integral 3 sides (MBITF)

**Pre-Leveled Foam Base (MBPLFOAM)** standard with Air Bath

**Pre-Leveled Frame & Foam Base (MBPLF)**

**Pre-Leveled Frame & Foam Base with Skirting -**

Acrylic Raised Panel-Look with Fixed Panels (MBFSKAO55)

Acrylic Raised Panel-Look with Removable Panels (MBFSKAR55)

**IMPORTANT INFORMATION**

- Before ordering or installing, please consider future access to equipment.
- Add bedding compound to fully level and support bottom of tub.
- Tubs equipped with an air bath or a pre-leveled foam base are designed to rest on the floor *without* bedding compound, provided the floor is level.
- Overall tub height is increased by approx. 2-3" when tub is equipped with any air bath package or when pre-leveled foam base or framing system is ordered.
- Please measure tub **on-site** before building tub decking.
- Jet, pump & blower locations are predetermined and cannot be changed.
- Suction and control locations may vary.
- Options listed cannot be combined with Designer Collection options.
- Specifications and configurations are subject to change without notice.
- Measurements are ±1/2" and are subject to change without notice.
- Measurements herein supersede all others published prior to publication date shown below.

