

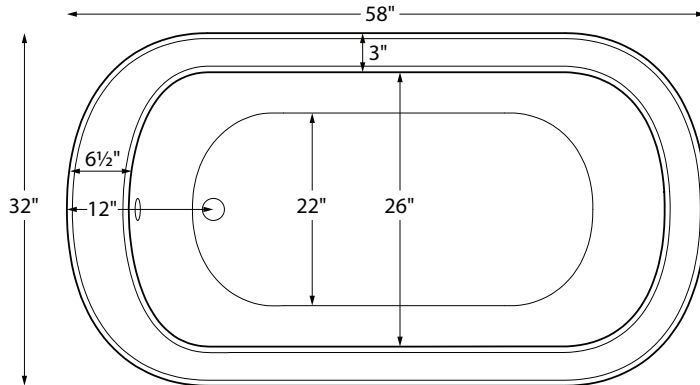
MBXFSX5832A

58" x 32" x 22"

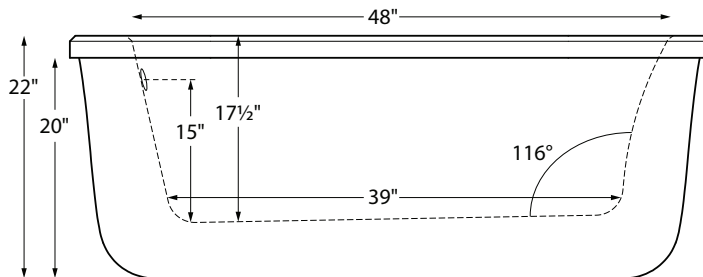
Installation: Freestanding with above-floor rough-in



Shown with a deck-mounted faucet. *Faucet is not included with tub.*



Features a 6½"-wide flat deck surface on the drain side for mounting faucetry.



Tub footprint measures: 45" x 20"

GENERAL SPECIFICATIONS:

- Material** Acrylic
- Soaker Weight** 128 lbs / 58 kg
- Maximum Fill** 50 gal to overflow

NOTE: Filling this tub to the maximum may require an above average size or dedicated water heater.



Features a larger space underneath the tub for an above floor rough-in, making installation quick and easy. A Quick Connect Drain Kit (MBQUICK) is available and must be ordered with tub at the time of purchase.

PACKAGES AND OPTIONS

| Hydrotherapy Package | Package Contents | Part # |
|----------------------------------|--|-----------------------|
| Soaker | soaking bath - no jets; textured bottom, pre-leveled foam base | MXSFSX5832A |
| Soaker with Virtual Spout | soaking bath - no jets; includes Virtual Spout integrated high-flow tub filler (see important information below), textured bottom, pre-leveled foam base | MBSXFSX5832AVS |

OPTIONS

Standard Color - White

Color Upgrade - Biscuit (MBFSCOL)

Quick Ship - reduces lead time - call for availability

Lift & Turn Drain Kit -

Chrome (MBWOC); Brushed Nickel (MBWOBN), White (MBWOW)

Quick Drain Connect Kit - *Not available seperately, must be ordered with tub*

Standard (MBQUICK), Cast Iron (MBQUICKCI)

IMPORTANT INFORMATION

- Options listed cannot be combined with Designer Collection options.
- Specifications and configurations are subject to change without notice.
- Measurements are ±1/2" and are subject to change without notice.
- Measurements herein supersede all others published prior to publication date shown below.

- The **Virtual Spout** is installed below the water level of the tub. MTI supplies a Wilkins dual check valve and an Acme in-wall atmospheric vent to prevent backflow into the potable water supply. However, some areas of the country require additional backflow prevention when water is introduced to the bath below the water level (check local codes).

