

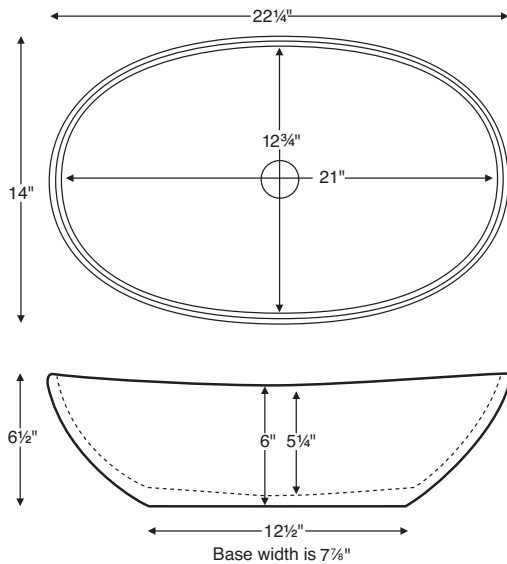


# Elise

Model # MTCS-715

22.25" x 14" x 6.5"

**Installation:** vessel-style  
**Lead Time - 10 Business Days**



NOTE: Sink rests on top of counter. Cut-out for the drain installation is required. Measurements are  $\pm 1/2$ " and are subject to change without notice. Data herein supersedes all previous prior to publication date indicated below.

<b>Sink Options and Pricing</b> NOTE: part codes for all options listed in parenthesis.
<b>Part #: MTCS-715 - \$950</b>
<b>Standard Color - White, matte finish</b> <b>Biscuit Color Upgrade, matte finish - (SSBISNK) \$100</b>
<b>Optional Gloss Finish Upcharge - For White or Biscuit (SSGLOSSNK) \$205</b> Additional material colors available for projects only. Please call MTI.
<b>Quick Ship - reduces lead time - please call for availability (QUISINKSH) \$185</b>

<b>Options and Accessories</b> NOTE: part codes for all options listed in parenthesis.
<b>Drain Kits -</b>
<b>Finger Touch Drain Without Overflow</b> Chrome (DKFGCN) <b>\$100</b> Brushed Nickel (DKFGBNN) <b>\$105</b>
<b>Grid Drain Without Overflow</b> Chrome (DKGDCN) <b>\$85</b> Brushed Nickel (DKGDBNN) <b>\$100</b>
<b>Fixed Drain Without Overflow</b> Chrome (DKFDC) <b>\$185</b>

## CONSTRUCTION AND STANDARD FEATURES

- Single-bowl design; 1.5" drain opening.
- Sink has no overflow. Requires vessel-style drain kit without overflow. Check local codes.
- One-piece construction using Engineered Solid Stone (ESS) material, which is solid through and through.
- ESS is a mixture of ground natural materials and binding agents that are liquefied, poured and then hardened.

- This material is non-porous, stain-, mold- and mildew-resistant, making cleaning and maintenance easy.
- Approximately 65% of the material is organic, including minerals mined from the earth, making it "Green".
- Same material and color all the way through, with minor variations due to use of natural minerals.
- Five-Year Limited Residential Warranty.
- Shipping weight: 26 lbs.

