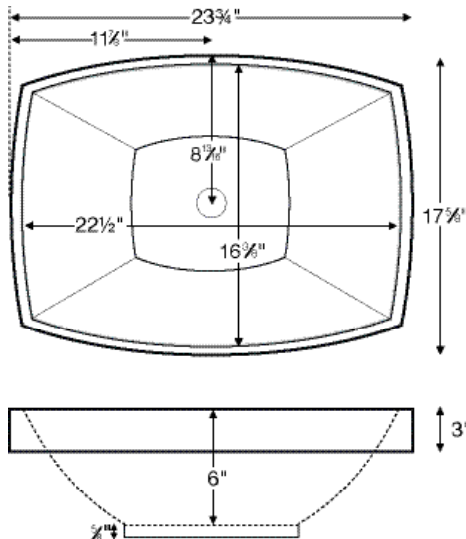
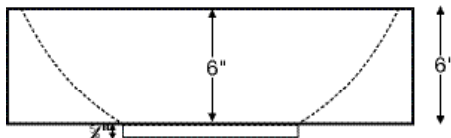




Adrian is a semi-recessed sink. When ordered with standard exterior height as shown above, only 3" of the sink will rest on top of vanity.



Shown above with standard exterior height of 3"



Shown above with custom exterior height of 6"

NOTES: SINK IS SEMI-RECESSED. SINK MUST BE MEASURED ON-SITE TO ENSURE ACCURATE DIMENSIONS OF HOLE CUT-OUT. Measurements are  $\pm 1/2$ " and are subject to change without notice. Data herein supersedes all previous prior to publication date indicated below.

# Adrian SR

Model # MTCS-737

23.75" x 17.625" x 3"\*

\*NOTE: Standard exterior sink height is 3". Custom height available up to 6" - see drawings below. Must specify when ordering.

**Installation:** semi-recessed  
**Lead Time - 10 Business Days**

<b>Sink Options and Pricing</b> NOTE: part codes for all options listed in parenthesis.
<b>Part #: MTCS-737 - \$985</b>
<b>Standard Color</b> - White, matte finish <b>Biscuit Color Upgrade, matte finish</b> - (SSBISNK) <b>\$100</b>
<b>Optional Gloss Finish Upcharge</b> - For White or Biscuit (SSGLOSSNK) <b>\$205</b> Additional material colors available for projects only. Please call MTI.
<b>Exterior Color in Gloss only</b> - (SSCOLTG) <b>\$300</b> Must specify color code: Blue Lagoon (BL), Terracotta (TC), Onyx (OX), Nightfall (NF), Stormgray (SG), Moonstone (MS) See the colors at: <a href="http://mtibaths.com/about-products/sink-options/">mtibaths.com/about-products/sink-options/</a>
<b>Quick Ship</b> - reduces lead time - please call for availability (QUISINKSH) <b>\$185</b>

<b>Options and Accessories</b> NOTE: part codes for all options listed in parenthesis.
<b>Drain Kits -</b>
<b>Finger Touch Drain Without Overflow</b> Chrome (DKFGCN) <b>\$100</b> Brushed Nickel (DKFGBNN) <b>\$105</b>
<b>Grid Drain Without Overflow</b> Chrome (DKGDCN) <b>\$85</b> Brushed Nickel (DKGDBNN) <b>\$100</b>
<b>Fixed Drain Without Overflow</b> Chrome (DKFDC) <b>\$185</b>



Shown above with a maximum exterior height of 6". Note: a small portion of the sink bowl will extend below the vanity.

## CONSTRUCTION AND STANDARD FEATURES

- Adrian is a semi-recessed model, which allows only the top 3" of the sink to rest on the vanity.
- Standard exterior height is 3". For greater personalization, custom exterior height is available between 3"- 6". Must specify on order.
- Single-bowl design; 1.5" drain opening.
- Sink has no overflow. Requires vessel-style drain kit without overflow. Check local codes.
- One-piece construction using Engineered Solid Stone (ESS) material, which is solid through and through.

- ESS is a mixture of ground natural materials and binding agents that are liquefied, poured and then hardened.
- This material is non-porous, stain-, mold- and mildew-resistant, making cleaning and maintenance easy.
- Approximately 65% of the material is organic, including minerals mined from the earth, making it "Green".
- Same material and color all the way through, with minor variations due to use of natural minerals.
- Five-Year Limited Residential Warranty.
- Shipping weight: 40 lbs.

