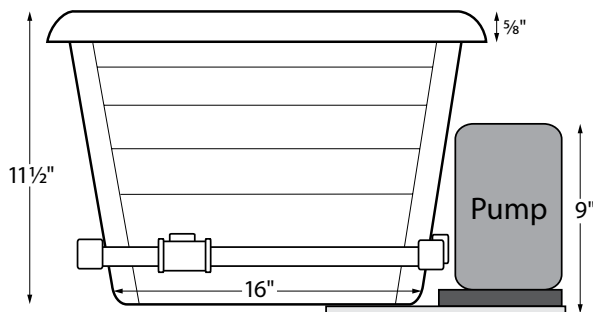
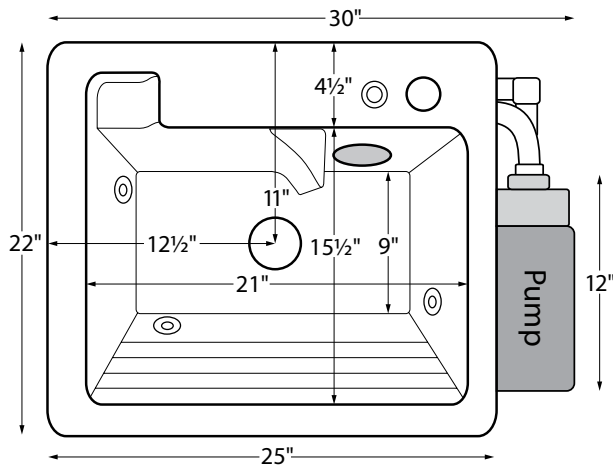


25" x 22" x 11.5" deep
Total width including pump: 30"



NOTE: MTI recommends a single-lever type faucet, either with or without pull-out sprayer.

Before ordering or installing, please consider future access to equipment.

ELECTRICAL SPECIFICATIONS

Required Electrical Service 1-15 amp, 110 Volt GFCI Outlet

Jetted Laundry Sink 1

Part # - MTL-110J



U.S. Pat # 6,289,530

AVAILABLE COLORS

White - Part # MTL-110JW **\$1,045**
 Bone, Biscui - Part # MTL-110JB* **\$1,060**
 Black, Sterling Silver - Part # MTL-110JGRP1* **\$1,125**
 *Must specify color on order

OPTIONS

Trim for on/off switch and three-speed control
 Note: color matched is standard when available.
 Chrome (JJTC) **\$60**, Brushed Nickel (JJTBN) **\$110**
 Trim for on/off switch, three-speed control, jets and suction
 Chrome (JJTRC) **\$195**, Brushed Nickel (JJTRBN) **\$230**
 Timer - 10 min. Installed at time of purchase (JJT) **\$135**
 Drain Kit
 Chrome (JDKC) **\$200**, Brushed Nickel (JDKBR) **\$295**
 Soft Scent - Laundry Sink Detergent
 Pack of 3 (JJSOLBOT) **\$45**
 Case of 12 (JJSOL) **\$75**
 Quick Ship / Priority. Call for availability. Part # QUISINKSH **\$190**
 Shipping Weight: 37 lbs

CONSTRUCTION AND STANDARD FEATURES

- Durable Lucite® cast acrylic shell is extremely scratch- and stain-resistant, yet renewable because the color goes all the way through the material.
- Non-porous surface makes cleaning easier.
- Reinforcement consisting of multi-layered backing of thick fiberglass / resin / titanium.
- 3 micro-jets.
- 1.0 bhp pump and suction fitting with removable filter.
- On / off control and 3-speed control knob.
- 3.5" drain.
- Integrated washboard front and recessed soap dish in back.
- No holes drilled standard; up to 3 holes drilled by MTI at no additional charge upon request.
- **CANNOT BE UNDERMOUNTED.**
- CSA Certified C/US
- Meets or exceeds ASTM D2565 and ANSI Z 124.6 1997.
- Limited Residential Warranty: 5 years on sink shell; one year on all other components.

INSTALLATION: Hole cutout should be 24" x 21" with 1" radius corners. Extend countertop / cabinet on right to accommodate pump. Measurements are ± 1/2" and are subject to change without notice. Data herein supersedes all previous prior to publication date indicated below.