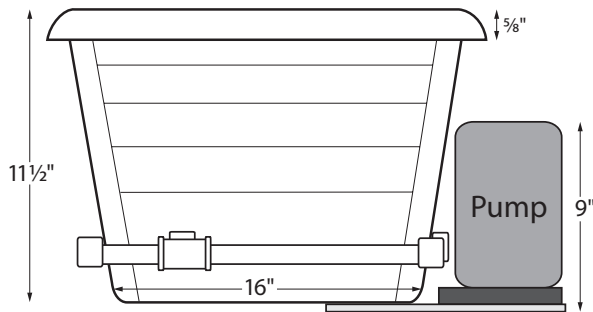
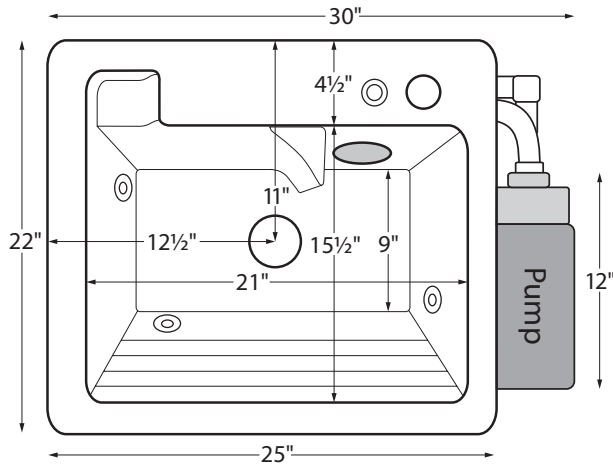


25" x 22" x 11.5" deep
Total width including pump: 30"



NOTE: MTI recommends a single-lever type faucet, either with or without pull-out sprayer.

Before ordering or installing, please consider future access to equipment.

ELECTRICAL SPECIFICATIONS

Required Electrical Service 1-15 amp, 110 Volt GFCI Outlet

Jetted Laundry Sink 1

Part # - MTL-110J



AVAILABLE COLORS

- White - Part # MTL110JW **\$995**
 - Bone, Biscui - Part # MTL110JB* **\$1,010**
 - Black, Sterling Silver - Part # MTL110JGRP1* **\$1,070**
- *Must specify color on order*

OPTIONS

- Trim for on/off switch and three-speed control
Note: color matched is standard when available.
 - Chrome (JJTTC) **\$60**, Brushed Nickel (JJTBN) **\$105**
- Trim for on/off switch, three-speed control, jets and suction
 - Chrome (JJTRC) **\$190**, Brushed Nickel (JJTRBN) **\$225**
- Timer - 10 min. *Installed at time of purchase - see p. G-6 (JJT)* **\$130**
 - Chrome (JDKC) **\$195**, Brushed Nickel (JDKBR) **\$285**
- Pack of 3 (JJSOLBOT) **\$45**
- Case of 12 (JJSOL) **\$75**
- Quick Ship / Priority. *Call for availability.* Part # QUISINKSH **\$185**
- Shipping Weight: 37 lbs

CONSTRUCTION AND STANDARD FEATURES

- Durable Lucite® cast acrylic shell is extremely scratch- and stain-resistant, yet renewable because the color goes all the way through the material.
- Non-porous surface makes cleaning easier.
- Reinforcement consisting of multi-layered backing of thick fiberglass / resin / titanium.
- 3 micro-jets.
- 1.0 bhp pump and suction fitting with removable filter.
- On / off control and 3-speed control knob.
- 3.5" drain.
- Integrated washboard front and recessed soap dish in back.
- No holes drilled standard; up to 3 holes drilled by MTI at no additional charge upon request.
- **CANNOT BE UNDERMOUNTED.**
- CSA Certified C/US
- Meets or exceeds ASTM D2565 and ANSI Z 124.6 1997.
- Limited Residential Warranty: 5 years on sink shell; one year on all other components.

INSTALLATION: Hole cutout should be 24" x 21" with 1" radius corners. Extend countertop / cabinet on right to accommodate pump. Measurements are ± 1/2" and are subject to change without notice. Data herein supersedes all previous prior to publication date indicated below.