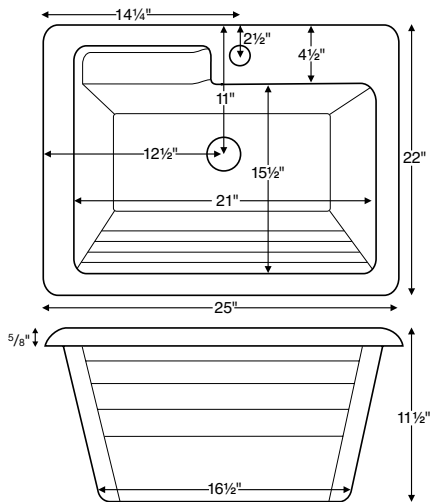


25" x 22" x 11.5"



**Universal**  
Part # - MTL-110



**AVAILABLE COLORS**

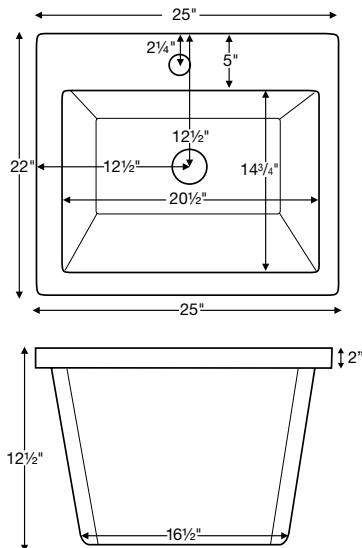
- White - Part # MTL110W **\$415**
  - Bone, Biscuit - Part # MTL110B\* **\$435**
  - Black, Sterling Silver - Part # MTL110GRP1\* **\$490**
- \*Must specify color on order*

**OPTIONS**

- Quick Ship / Priority. *Call for availability.* Part # QUISISINKSH **\$190**
- Shipping Weight: 15 lbs

NOTES: Measurements are  $\pm 1/2"$  and are subject to change without notice. Data herein supersedes all previous prior to publication date indicated below.

25" x 22" x 12.5"



**Versatile**  
Part # - MTL-120



**AVAILABLE COLORS**

- White - Part # MTL120W **\$435**
  - Bone, Biscuit - Part # MTL120B\* **\$445**
  - Black, Sterling Silver - Part # MTL120GRP1\* **\$520**
- \*Must specify color on order*

**OPTIONS**

- Quick Ship / Priority. *Call for availability.* Part # QUISISINKSH **\$190**
- Shipping Weight: 17 lbs

NOTES: Measurements are  $\pm 1/2"$  and are subject to change without notice. Data herein supersedes all previous prior to publication date indicated below.

**CONSTRUCTION AND STANDARD FEATURES**

- Single-bowl design; 3.5" drain opening pre-drilled.
- **Can be undermounted or caulked directly to the countertop without the use of clips or channels. SPECIFY WHEN ORDERING.**
- No holes drilled if undermounting. Installer will drill onsite.
- Durable Lucite<sup>®</sup> cast acrylic shell is extremely scratch- and stain-resistant yet renewable because the color goes all the way through the material.
- Non-porous surface makes cleaning and sanitizing faster and more effective.
- Multi-layered reinforced backing of thick fiberglass / resin / titanium.
- At least 30% thicker and stronger than other makes.
- 2-year limited residential; 1-year commercial warranty.