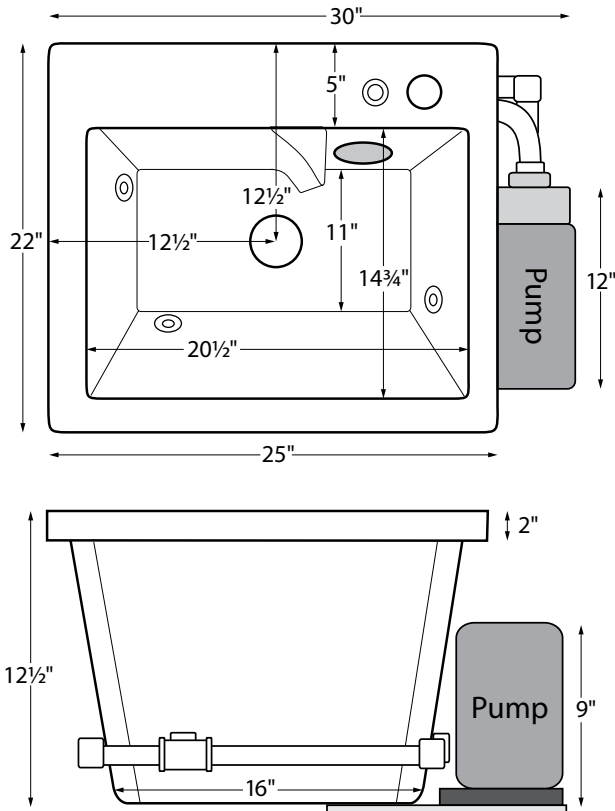


25" x 22" x 12.5" deep
Total width including pump: 30"



NOTE: MTI recommends a single-lever type faucet, either with or without pull-out sprayer.

Before ordering or installing, please consider future access to equipment.

ELECTRICAL SPECIFICATIONS

Required Electrical Service

1-15 amp, 110 Volt GFCI Outlet

Jetted Laundry Sink 2

Part # - MTL-120J



U.S. Pat # 6,289,530

AVAILABLE COLORS

White - Part # MTL-120JW **\$1,080**

Bone, Biscuit - Part # MTL-120JB* **\$1,090**

Black, Sterling Silver - Part # MTL-120JGRP1* **\$1,155**

*Must specify color on order

OPTIONS

Trim for on/off switch and three-speed control

Note: color matched is standard when available.

Chrome (JJTC) **\$60**, Brushed Nickel (JJTBN) **\$110**

Trim for on/off switch, three-speed control, jets and suction

Chrome (JJTRC) **\$195**, Brushed Nickel (JJTRBN) **\$230**

Timer - 10 min. Installed at time of purchase (JJT) **\$135**

Drain Kit

Chrome (JDKC) **\$200**, Brushed Nickel (JDKBR) **\$295**

Soft Scent - Laundry Sink Detergent

Pack of 3 (JJSOLBOT) **\$45**

Case of 12 (JJSOL) **\$75**

Quick Ship / Priority. Call for availability. Part # QUISINKSH **\$190**

Shipping Weight: 37 lbs

CONSTRUCTION AND STANDARD FEATURES

- Durable Lucite® cast acrylic shell is extremely scratch- and stain-resistant, yet renewable because the color goes all the way through the material.
- Non-porous surface makes cleaning easier.
- Reinforcement consisting of multi-layered backing of thick fiberglass / resin / titanium.
- 3 micro-jets.
- 1.0 bhp pump and suction fitting with removable filter.
- On / off control and 3-speed control knob.
- 3.5" drain.

- No holes drilled if undermounting. Installer will drill onsite.
- **MAY BE UNDERMOUNTED. MUST SPECIFY WHEN ORDERING**
- CSA Certified C/US
- Meets or exceeds ASTM D2565 and ANSI Z 124.6 1997.
- Limited Residential Warranty: 5 years on sink shell; one year on all other components.

INSTALLATION: Hole cutout should be 24" x 21" with 1" radius corners. Extend countertop / cabinet on right to accommodate pump. Measurements are ± 1/2" and are subject to change without notice. Data herein supersedes all previous prior to publication date indicated below.