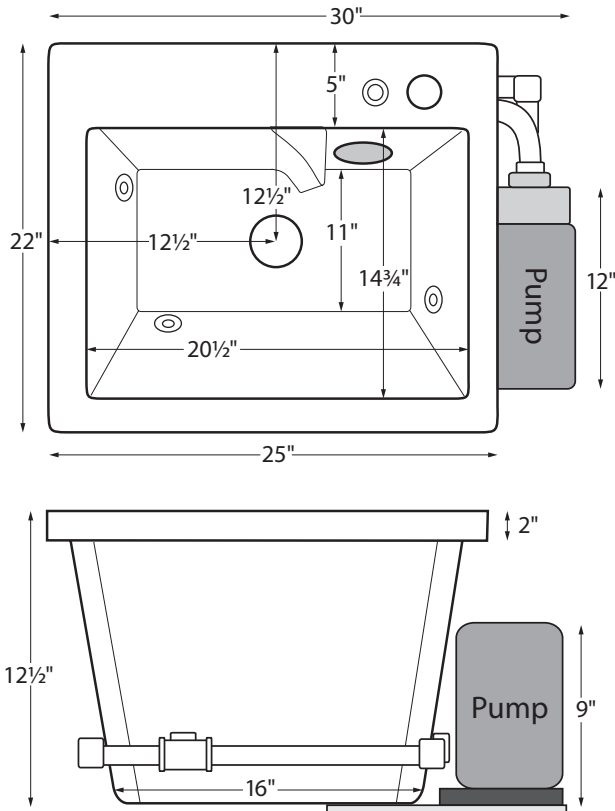


**25" x 22" x 12.5" deep**  
**Total width including pump: 30"**



NOTE: MTI recommends a single-lever type faucet, either with or without pull-out sprayer.

Before ordering or installing, please consider future access to equipment.

### ELECTRICAL SPECIFICATIONS

**Required Electrical Service** 1-15 amp, 110 Volt GFCI Outlet

## Jetted Laundry Sink 2

Part # - MTL-120J



U.S. Pat # 6,289,530

### AVAILABLE COLORS

White - Part # MTL120JW **\$1,030**  
 Bone, Biscuit - Part # MTL120JB\* **\$1,040**  
 Black, Sterling Silver - Part # MTL120JGRP1\* **\$1,100**  
 \*Must specify color on order

### OPTIONS

Trim for on/off switch and three-speed control  
 Note: color matched is standard when available.  
 Chrome (JJTTC) **\$60**, Brushed Nickel (JJTBN) **\$105**  
 Trim for on/off switch, three-speed control, jets and suction  
 Chrome (JJTRC) **\$190**, Brushed Nickel (JJTRBN) **\$225**  
 Timer - 10 min. Installed at time of purchase - see p. G-6 (JJT) **\$130**  
 Chrome (JJDKC) **\$195**, Brushed Nickel (JJDKBR) **\$285**

Pack of 3 (JJSOLBOT) **\$45**

Case of 12 (JJSOL) **\$75**

Quick Ship / Priority. Call for availability. Part # QUISINKSH **\$185**

Shipping Weight: 37 lbs

### CONSTRUCTION AND STANDARD FEATURES

- Durable Lucite® cast acrylic shell is extremely scratch- and stain-resistant, yet renewable because the color goes all the way through the material.
- Non-porous surface makes cleaning easier.
- Reinforcement consisting of multi-layered backing of thick fiberglass / resin / titanium.
- 3 micro-jets.
- 1.0 bhp pump and suction fitting with removable filter.
- On / off control and 3-speed control knob.
- 3.5" drain.
- No holes drilled standard; up to 3 holes drilled by MTI at no additional charge upon request.
- **MAY BE UNDERMOUNTED. MUST SPECIFY WHEN ORDERING**
- CSA Certified C/US
- Meets or exceeds ASTM D2565 and ANSI Z 124.6 1997.
- Limited Residential Warranty: 5 years on sink shell; one year on all other components.

INSTALLATION: Hole cutout should be 24" x 21" with 1" radius corners. Extend countertop / cabinet on right to accommodate pump. Measurements are ± 1/2" and are subject to change without notice. Data herein supersedes all previous prior to publication date indicated below.