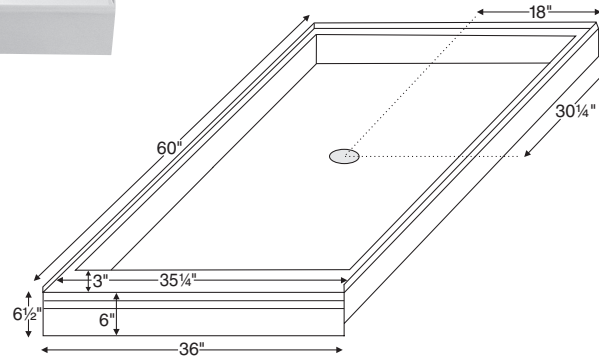


# MTSB-3660

36" x 60" x 6"

Single Threshold  
Center Drain / Rectangle



## Shower Base

**Standard Colors:** Part # SB3660 **\$1,340** Choose from:

White (CWH), Bone (CBN), Biscuit (CBS)

**Other Colors:** Part # SB3660GRP1 **\$1,605** Choose from:

Black (CBL), Sterling Silver (CSS)

Quick Ship/Priority - reduces lead time (QSPRI) Call for availability. **\$370**

## Options

PVC Drain Kit with Chrome cover (included with shower base)

Also available for an upcharge: Brushed Nickel (SBDKBN) **\$75**

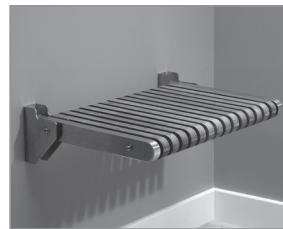
Special Finishes (SBDKSF) **\$235** Send sample allow 2 weeks.

Solid Brass Drain Kit with Stainless cover (SBDKSB) **\$180**

Pre-Leveled Foam Base (PLFSB) **\$155**

Radiance - shower floor heating system (RAD100) **\$1,050**

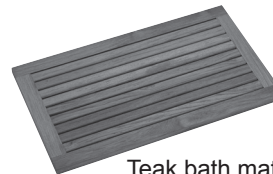
Radiance heating grids are fully integrated within the acrylic shell structure of the shower floor. Requires a 110-volt, 15 amp GFCI and remote installation of control box & keypad. For complete information, visit [mtibaths.com](http://mtibaths.com).



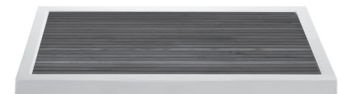
Premium teak seat  
Size 24" x 16"



Standard teak seat  
Size 22" x 15"



Teak bath mat



Teak shower tray

## Accessories

### Teak Shower Seat -

Premium - Natural Stainless (TK-SSEAT2416BNS) **\$2,270**

- High-Polished Stainless (TK-SSEAT2416BHP) **\$2,625**

Standard - Natural Stainless (TK-SSEAT2215NS) **\$840**

- High-Polished Stainless (TK-SSEAT2215HP) **\$1,160**

**Teak Shower Tray (TK-3660) \$985**

**Teak Bath Mat (TK-MAT3018)** (custom sizes also available) **\$410**

**Shower Niche** - constructed of Engineered Solid Stone (ESS)

Matte Finish - White (SSNWHMT) or Biscuit (SSNBSMT) **\$460**

Gloss Finish - White (SSNWHGL) or Biscuit (SSNBSGL) **\$615**



Shower niche

## CONSTRUCTION AND STANDARD FEATURES

- Single, front threshold design; 3.5" drain opening pre-drilled.
- Integral tile flange on 3 sides to facilitate installation.
- Textured bottom that meets ASTM F-462-1994 certification requirements for safer showering.
- Durable Lucite® cast acrylic shell is extremely scratch- and stain-resistant, yet renewable because the color goes all the way through the material.
- Non-porous surface makes cleaning and sanitizing faster and more effective.

- Multi-layered backing of thick fiberglass / resin / titanium encloses wood reinforcement to prevent flexing of floor pan.
- At least 30% thicker and stronger than other makes.
- Lead time - 5 business days.
- 10-year Limited Residential Warranty.
- Shipping Weight: 125 lbs

SHOWER BASE INSTALLATION: Add bedding compound to fully support bottom of shower base. MTI's optional Pre-Leveled Foam Base requires no additional bedding compound or support. See installation instructions. Measurements are  $\pm 1/2"$  and are subject to change without notice. Data herein supersedes all previous prior to publication date indicated below.