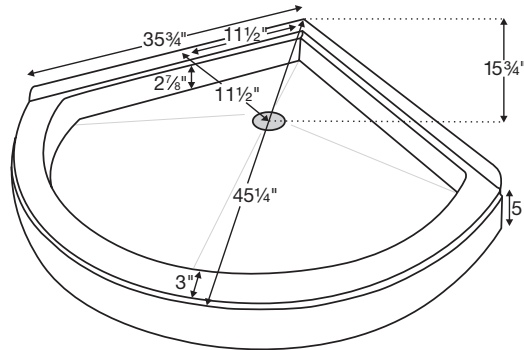




MTSB-36CT
35.75" x 35.75" x 5"

Curved Front



Shower Base

Standard Colors: Part # SB36CT **\$1,250** Choose from:
White (CWH), Bone (CBN), Biscuit (CBS)
Other Colors: Part # SB36CTGRP1 **\$1,460** Choose from:
Black (CBL), Sterling Silver (CSS)
Quick Ship/Priority - reduces lead time (QSPRI) Call for availability. **\$370**

Options

PVC Drain Kit with Chrome cover (included with shower base)
Also available in the following finishes:
Brushed Nickel (SBDKBN) **\$75**
Special Finishes (SBDKSF) **\$235** Send sample - allow 2 weeks.
Solid Brass Drain Kit with Stainless cover (SBDKSB) **\$180**
Pre-Leveled Foam Base (PLFSB) **\$155**

Accessories

Teak Shower Seat -

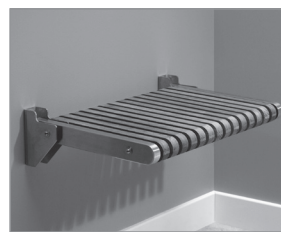
Premium - Natural Stainless (TK-SSEAT2416BNS) **\$2,270**
- High-Polished Stainless (TK-SSEAT2416BHP) **\$2,625**
Standard - Natural Stainless (TK-SSEAT2215NS) **\$840**
- High-Polished Stainless (TK-SSEAT2215HP) **\$1,160**

Teak Shower Tray (TK-36CT) \$710

Teak Bath Mat (TK-MAT3018) (custom sizes also available) **\$410**

Shower Niche - constructed of Engineered Solid Stone (ESS)

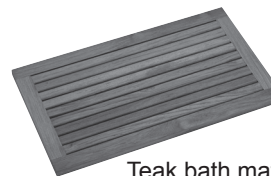
Matte Finish - White (SSNWHMT) or Biscuit (SSNBSMT) **\$460**
Gloss Finish - White (SSNWHGL) or Biscuit (SSNBSGL) **\$615**



Premium teak seat
Size 24" x 16"



Standard teak seat
Size 22" x 15"



Teak bath mat



Teak shower tray



Shower niche

CONSTRUCTION AND STANDARD FEATURES

- Curved front design; 3.5" drain opening pre-drilled.
- Integral tile flange on 2 sides to facilitate installation.
- Textured bottom that meets ASTM F-462-1994 certification requirements for safer showering.
- Durable Lucite® cast acrylic shell is extremely scratch- and stain-resistant, yet renewable because the color goes all the way through the material.
- Non-porous surface makes cleaning and sanitizing faster and more effective.
- Multi-layered backing of thick fiberglass / resin / titanium encloses wood reinforcement to prevent flexing of floor pan.
- At least 30% thicker and stronger than other makes.
- Lead time - 5 business days.
- 10-year Limited Residential Warranty.
- Shipping Weight: 65 lbs

SHOWER BASE INSTALLATION: Add bedding compound to fully support bottom of shower base. MTI's optional Pre-Leveled Foam Base requires no additional bedding compound or support. See installation instructions. Measurements are $\pm 1/2$ " and are subject to change without notice. Data herein supersedes all previous prior to publication date indicated below.

