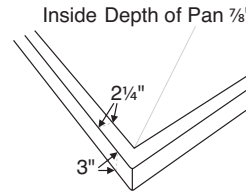
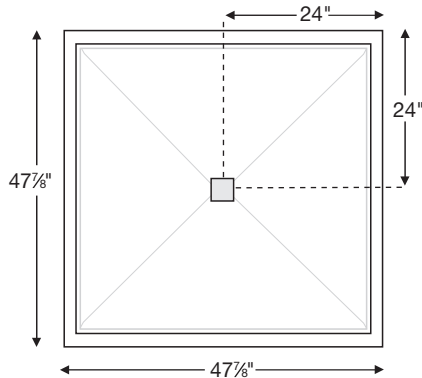


# MTSB-4848MT

47.875" x 47.875" x 3"

Low-profile, Multiple Threshold  
Center Drain / Square



NOTE: When ordering, please specify tile flange locations.

## Shower Base

**Standard Colors:** Part # SB4848MT **\$1,630** Choose from:

White (CWH), Bone (CBN), Biscuit (CBS)

**Other Colors:** Part # SB4848MTGRP1 **\$1,910** Choose from:

Black (CBL), Sterling Silver (CSS)

Quick Ship/Priority - reduces lead time (QSPRI) Call for availability. **\$370**

## Options

PVC Drain Kit with Chrome cover (included with shower base)

Also available for an upcharge: Brushed Nickel (SBSQDBN) **\$75**

Special Finishes (SBSQDSF) **\$235** Send sample - allow 2 weeks.

Solid Brass Drain Kit with Stainless cover (SBDKSB) **\$180** Pre-Levelled Foam Base (PLFSB) **\$155**

Radiance - shower floor heating system (RAD100) **\$1,050**

Radiance heating grids are fully integrated within the acrylic shell structure of the shower floor. Requires a 110-volt, 15 amp GFCI and remote installation of control box & keypad. For complete information, see p. E-72 or visit [mtibaths.com](http://mtibaths.com).

## Accessories

### Teak Shower Seat -

Premium - Natural Stainless (TK-SSEAT2416BNS) **\$2,270**

- High-Polished Stainless (TK-SSEAT2416BHP) **\$2,625**

Standard - Natural Stainless (TK-SSEAT2215NS) **\$840**

- High-Polished Stainless (TK-SSEAT2215HP) **\$1,160**

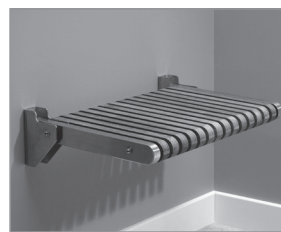
**Teak Shower Tray (TK-4848MT) \$1,135**

**Teak Bath Mat (TK-MAT3018)** (custom sizes also available) **\$410**

**Shower Niche** - constructed of Engineered Solid Stone (ESS)

Matte Finish - White (SSNWHMT) or Biscuit (SSNBSMT) **\$460**

Gloss Finish - White (SSNWHGL) or Biscuit (SSNBSGL) **\$615**



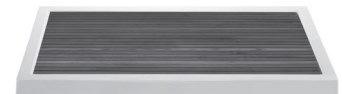
Premium teak seat  
Size 24" x 16"



Standard teak seat  
Size 22" x 15"



Teak bath mat



Teak shower tray



Shower niche

## CONSTRUCTION AND STANDARD FEATURES

- Multiple threshold design; 3.5" drain opening pre-drilled.
- Low-profile, narrow threshold and shallow pan.
- Factory-installed tile flange on 1, 2 or 3 sides to facilitate installation. *PLEASE SPECIFY WHICH SIDES WHEN ORDERING.*
- Textured bottom that meets ASTM F-462-1994 certification requirements for safer showering.
- Durable Lucite® cast acrylic shell is extremely scratch- and stain-resistant, yet renewable because the color goes all the way through the material.
- Non-porous surface makes cleaning and sanitizing faster and more effective.
- Multi-layered backing of thick fiberglass / resin / titanium encloses wood reinforcement to prevent flexing of floor pan.
- At least 30% thicker and stronger than other makes.
- Lead time - 5 business days.
- 10-year Limited Residential Warranty.
- Shipping Weight: 85 lbs

SHOWER BASE INSTALLATION: Add bedding compound to fully support bottom of shower base. MTI's optional Pre-Levelled Foam Base requires no additional bedding compound or support. See installation instructions. Measurements are  $\pm 1/2"$  and are subject to change without notice. Data herein supersedes all previous prior to publication date indicated below.