

MTSB-5040BF

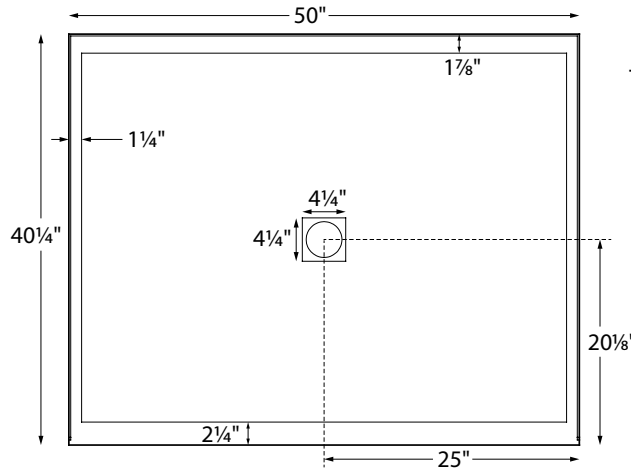
50" x 40.25" x 4.125"

GENERAL SPECIFICATIONS:

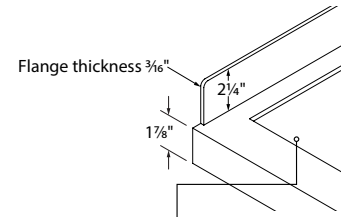
Material - Acrylic
 Shipping Weight - 115 lbs / 52 kg
 Threshold - Low-Profile, Multiple Threshold
 Drain Location - Center



Optional Threshold installed.



When ordering, please specify left- or right-hand drain and tile flange locations.



Designed to be recessed into floor, to create a flat transfer surface.

Lead Time - 4 business days

ASTM F-462-1994 Certified

Model #	Color Options	Size	Shape	MSRP
SB5040BF	White (CWH), Bone (CBN), Biscuit (CBS)	50" x 40.25" x 1.875"	Rectangle	\$1,375
SB5040BFGRP1	Black (CBL) Sterling Silver (CSS)	50" x 40.25" x 1.875"	Rectangle	\$1,845

Standard Options
Quick Ship - Reduces lead time. Please call for availability. (QSPRI) \$380
Radiance® - Shower floor heating system. (RAD100) \$1,080 Radiance heating grids are fully integrated within the acrylic shell structure of the shower floor. Requires a 110-volt, 15 amp GFCI and remote installation of control box & keypad.
Pre-Levelled Foam Base (PLFSB) \$160
Optional Hardware NOTE: Part codes for all options listed in parenthesis.
PVC Drain Kit Finishes Chrome (included with shower base) Brushed Nickel upcharge* (SBDKBN) \$60 Special Finishes upcharge* (SBDKSF) \$295 Must send sample and allow 2 weeks additional lead time Solid Brass Drain Kit with Stainless cover (SBDKSB) \$185
Optional Removable Front Threshold - Measures 2 1/4" tall (SBT50) \$200

Accessories
Shower Niche - Constructed of SculptureStone®. Matte Finish - White (SSNWHMT) \$480 Gloss Finish - White (SSNWHGL) \$640
Teak Shower Seat - Premium Natural Stainless (TK-SSEAT2416BNS) \$2,385 High-Polished Stainless (TK-SSEAT2416BHP) \$2,755 Standard Natural Stainless (TKSSEAT2215NS) \$880 High-Polished Stainless (TKSSEAT2215HP) \$1,220
Teak Bath Mat - Measures 30" x 17.5" x1". (TK-MAT3018) \$430 Custom sizes also available. Contact MTI for details.

IMPORTANT ORDERING & INSTALLATION INFORMATION:

- 3-sided integral tile flange to facilitate installation.
- Zero-barrier front threshold designed for ease of transfer between bathroom and shower area.
- Textured bottom meets certification requirements for safer showering.
- Measurements are ± 1/2" and are subject to change without notice.
- Data herein supersedes all prior to publication date shown below.

See the "Designer Collection Shower Bases Installation & Operation Manual" included with pan delivery or go to: mtibaths.com/support/installation for all the information necessary to install and operate the tub. MTI's Customer Service Department is available Monday-Friday 8am-6pm EST at 800-783-8827 or customerservice@mtibaths.com to answer any questions pertaining to ordering or installation.

