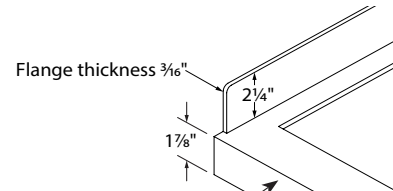
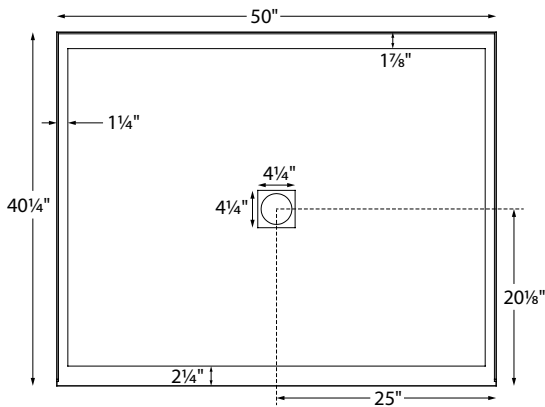


# MTSB-5040BF

## 50" x 40.25" x 4.125"

Low-Profile, Multiple Threshold  
End Drain / Rectangle

**Material** - Acrylic  
**Shipping Weight** - 115 lbs / 52 kg



Designed to be recessed into floor, to create a flat transfer surface.



Optional Threshold installed

### Acrylic Shower Base

Color Options	Part #	Pricing
White (CWH), Bone (CBN), Biscuit (CBS)	SB5040BF	<b>\$1,350</b>
Black (CBL) Sterling Silver (CSS)	SB5040BFGRP1	<b>\$1,810</b>

### Optional Hardware

NOTE: part codes for all options listed in parenthesis.

#### PVC Drain Kit Finishes

- Chrome (included with shower base)
- Brushed Nickel upcharge\* (SBDKBN) **\$75**
- Special Finishes upcharge\* (SBDKSF) **\$235**
- Must send sample and allow 2 weeks additional lead time
- Solid Brass Drain Kit with Stainless cover (SBDKSB) **\$180**

**Optional Removable Front Threshold** - measures 2 1/4" tall (SBT50) **\$195**

### Standard Options

- Quick Ship** - reduces lead time - please call for availability (QSPRI) **\$370**
- Pre-Levelled Foam Base** (PLFSB) **\$155**
- Radiance**® - shower floor heating system (RAD100) **\$1,050**
- Radiance heating grids are fully integrated within the acrylic shell structure of the shower floor. Requires a 110-volt, 15 amp GFCI and remote installation of control box & keypad.

### Accessories

**Shower Niche** - Constructed of SculptureStone®  
Matte Finish - White (SSNWHMT) **\$460**  
Gloss Finish - White (SSNWHGL) **\$615**

#### Teak Shower Seat -

- Premium
  - Natural Stainless (TK-SSEAT2416BNS) **\$2,185**
  - High-Polished Stainless (TK-SSEAT2416BHP) **\$2,525**
- Standard
  - Natural Stainless (TKSSEAT2215NS) **\$810**
  - High-Polished Stainless (TKSSEAT2215HP) **\$1,035**

**Teak Bath Mat** - Measures 30" x 17.5" x 1"  
(TK-MAT3018) **\$410**  
custom sizes also available, contact MTI for details

### CONSTRUCTION AND STANDARD FEATURES

- Zero-barrier front threshold designed for ease of transfer between bathroom and shower area.
- 3-sided integral tile flange to facilitate installation.
- Textured bottom that meets certification requirements for safer showering.
- Durable Lucite® cast acrylic shell is extremely scratch- and stain-resistant, yet renewable because the color goes all the way through the material.
- Non-porous surface makes cleaning and sanitizing faster and more effective.
- Multi-layered backing of thick fiberglass / resin / titanium encloses wood reinforcement to prevent flexing of floor pan.
- At least 30% thicker and stronger than other makes.
- Lead time - 5 business days.
- 10-year Limited Residential Warranty.
- Shipping Weight: 115 lbs

