

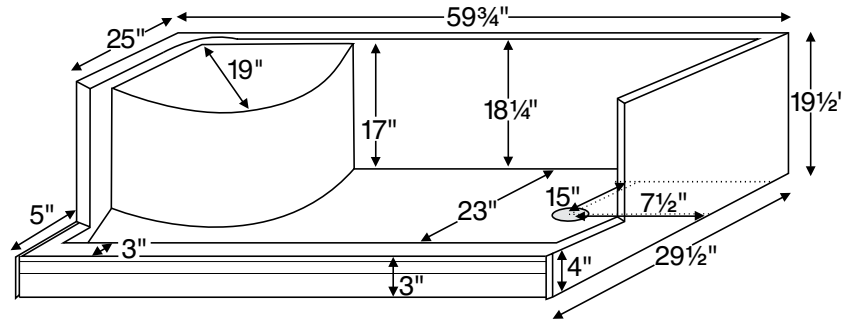


MTSB-6030Seated

59.75" x 29.5" x 19.5"

GENERAL SPECIFICATIONS:

Material - Acrylic
 Shipping Weight - 100 lbs / 45 kg
 Threshold - Low-Profile, Seated
 Drain Location - End



When ordering, please specify left- or right-hand drain.

Lead Time - 4 business days

ASTM F-462-1994 Certified

Model #	Color Options	Size	Shape	MSRP
SB6030Seated	White (CWH), Bone (CBN), Biscuit (CBS)	59.75" x 29.5" x 19.5"	Rectangle	\$1,555
SB6030SeatedGRP1	Black (CBL) Sterling Silver (CSS)	59.75" x 29.5" x 19.5"	Rectangle	\$1,815

Standard Options
Quick Ship - Reduces lead time. Please call for availability. (QSPRI) \$380
Radiance® - Shower floor heating system. (RAD100) \$1,080 Radiance heating grids are fully integrated within the acrylic shell structure of the shower floor. Requires a 110-volt, 15 amp GFCI and remote installation of control box & keypad.
Pre-Levelled Foam Base (PLFSB) \$160
Optional Hardware NOTE: Part codes for all options listed in parenthesis.
PVC Drain Kit Finishes Chrome (included with shower base) Brushed Nickel upcharge* (SBDKBN) \$60 Special Finishes upcharge* (SBDKSF) \$295 Must send sample and allow 2 weeks additional lead time Solid Brass Drain Kit with Stainless cover (SBDKSB) \$185

Accessories
Shower Niche - Constructed of SculptureStone®. Matte Finish - White (SSNWHMT) \$480 Gloss Finish - White (SSNWHGL) \$640
Teak Bath Mat - Measures 30" x 17.5" x 1". (TK-MAT3018) \$430 Custom sizes also available. Contact MTI for details.
Teak Shower Tray - (TK6030Seated) \$915

IMPORTANT ORDERING & INSTALLATION INFORMATION:

- 3.5" drain opening pre-drilled.
- 3-sided integral tile flange to facilitate installation.
- Single, front threshold design with integrated seat.
- Textured bottom meets certification requirements for safer showering.
- Measurements are ± 1/2" and are subject to change without notice.
- Data herein supersedes all prior to publication date shown below.

See the "Designer Collection Shower Bases Installation & Operation Manual" included with pan delivery or go to: mtibaths.com/support/installation for all the information necessary to install and operate the tub. MTI's Customer Service Department is available Monday-Friday 8am-6pm EST at 800-783-8827 or customerservice@mtibaths.com to answer any questions pertaining to ordering or installation.

