



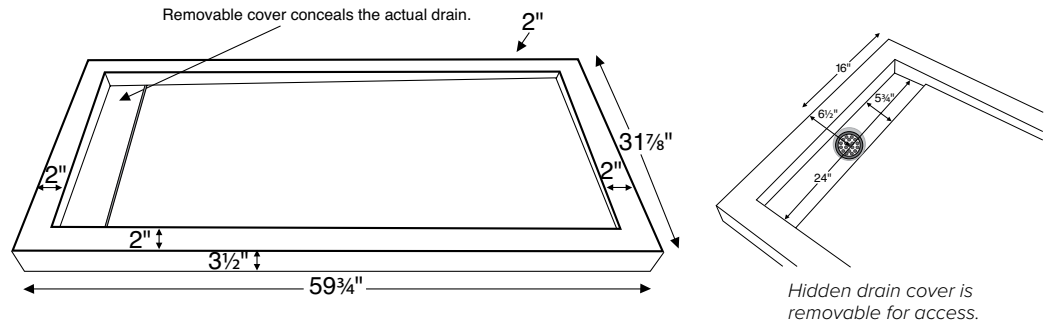
Shown with standard Stainless Steel Hidden Drain Cover.

# MTSB-6032MTHD

59.75" x 31.875" x 3.5"

**GENERAL SPECIFICATIONS:**

**Material** - Acrylic  
**Shipping Weight** - 100 lbs / 45 kg  
**Threshold** - Low-Profile, Multiple Threshold  
**Drain Location** - End



When ordering, please specify left- or right-hand drain and tile flange locations.

Lead Time - 4 business days

ASTM F-462-1994 Certified

Model #	Color Options	Size	Shape	MSRP
SB6032MTHD	White (CWH), Bone (CBN), Biscuit (CBS)	59.75" x 31.875" x 3.5"	Rectangle	<b>\$1,585</b>
SB6032MTHDGRP1	Black (CBL) Sterling Silver (CSS)	59.75" x 31.875" x 3.5"	Rectangle	<b>\$1,815</b>

Standard Options
<b>White, Matte Finish</b> (SBMATTE) <b>\$85</b>
<b>Quick Ship</b> - Reduces lead time. Please call for availability. (QSPRI) <b>\$380</b>
<b>Radiance®</b> - Shower floor heating system. (RAD100) <b>\$1,080</b> Radiance heating grids are fully integrated within the acrylic shell structure of the shower floor. Requires a 110-volt, 15 amp GFCI and remote installation of control box & keypad.
<b>Pre-Leveled Foam Base</b> (PLFSB) <b>\$160</b>
<b>Hidden Drain Cover</b> Stainless Steel (standard with any color shower base) <b>No Charge</b> Powder Coated White (DCH32W) <b>No Charge</b> Must specify on order.
<b>Optional Hardware</b> NOTE: Part codes for all options listed in parenthesis.
<b>PVC Drain Kit Finishes</b> Chrome (included with shower base) Solid Brass Drain Kit with Stainless cover (SBDKSB) <b>\$185</b>

Accessories
<b>Shower Niche</b> - Constructed of SculptureStone®. Matte Finish - White (SSNWHMT) <b>\$480</b> Gloss Finish - White (SSNWHGL) <b>\$640</b>
<b>Teak Shower Seat</b> - Premium Natural Stainless (TK-SSEAT2416BNS) <b>\$2,385</b> High-Polished Stainless (TK-SSEAT2416BHP) <b>\$2,755</b> Standard Natural Stainless (TKSSEAT2215NS) <b>\$880</b> High-Polished Stainless (TKSSEAT2215HP) <b>\$1,220</b>
<b>Teak Bath Mat</b> - Measures 30" x 17.5" x 1". (TK-MAT3018) <b>\$430</b> Custom sizes also available. Contact MTI for details.
<b>Teak Hidden Drain Cover</b> - (TK-HD32) <b>\$190</b>

**IMPORTANT ORDERING & INSTALLATION INFORMATION:**

- 3.5" drain opening pre-drilled.
- Factory-installed tile flange on 1, 2, or 3 sides to facilitate installation.
- Textured bottom meets certification requirements for safer showering.
- Measurements are ± 1/2" and are subject to change without notice.
- Data herein supersedes all prior to publication date shown below.

See the "Designer Collection Shower Bases Installation & Operation Manual" included with pan delivery or go to: [mtibaths.com/support/installation](http://mtibaths.com/support/installation) for all the information necessary to install and operate the tub. MTI's Customer Service Department is available Monday-Friday 8am-6pm EST at 800-783-8827 or [customerservice@mtibaths.com](mailto:customerservice@mtibaths.com) to answer any questions pertaining to ordering or installation.

