

Worksheet and order form must be filled out by an authorized MTI dealer.

Halo Vanity Sink Worksheet Single Bowl

Center or Offset bowl location

Please fill in the information below:

P.O. _____ Date: _____

Contact name: _____

Company / Address: _____

Phone: _____ Fax: _____

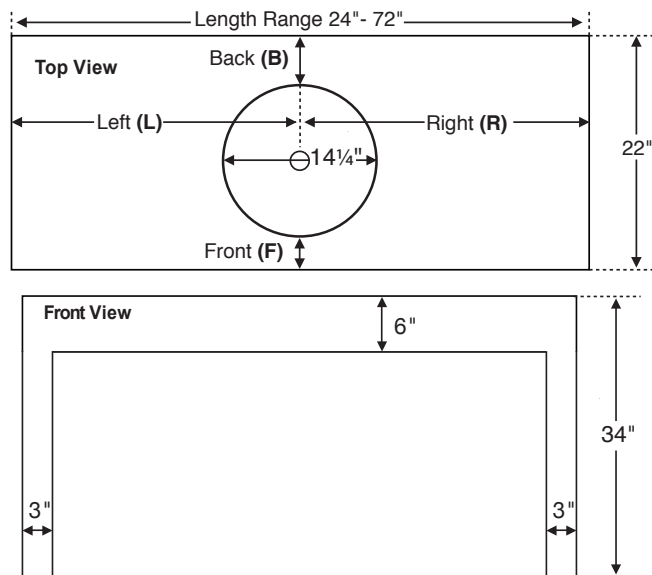
Email: _____

Send this completed worksheet,
along with order form and purchase order to:

MTI Order Entry Department
Phone: 800-783-8827 Fax: 800-438-8827
Email: orderentry@mtibaths.com

Worksheet Instructions:

- Vanity Sink is available in 9 standard lengths ranging between 24" and 72". Enter exact size below. Custom lengths are not available.
- Overall height (34") and depth (22") are fixed and not customizable.
- Select whether faucet will be deck-mounted or wall-mounted.
- Bowl placement options: For length, choose 'centered' or enter specific measurements For depth, select MTI's 'standard' recommended bowl placement for deck-mounted faucet applications, or enter specific measurements.
- Send this worksheet, along with order form and purchase order to the MTI order entry department.



Note: Due to the handcrafted nature of this product, please allow for a tolerance of up to 1/4" for overall dimensions and 1/2" for bowl placement.

Vanity Length *Enter a size listed below:*

_____ Sizes: 24", 30", 36", 42", 48", 54", 60", 66", 72"

Faucet Application *Choose one of the following:*

_____ Deck-Mount **OR** _____ Wall-Mount

Bowl Placement Measurements

Length - Choose 'Centered' **OR** enter measurements for Left (L) **OR** Right (R).

_____ Centered on vanity.
OR
_____ inches (L) from left edge of vanity to center of bowl.

OR
_____ inches (R) from right edge of vanity to center of bowl.

Depth - Choose 'Standard' or enter a measurement from Back (B) **OR** Front (F).

Standard bowl placement for deck-mounted faucets.
_____ 5" (B) and 3" (F)

OR
_____ inches (B) from back edge of top to back edge of bowl.

OR
_____ inches (F) from front edge of top to front edge of bowl.

Distributor Signature _____

Model # MTCS-V861

Effective 052016

©2016 by MTI Baths, Inc. Modification Rights Reserved.



Vanity Sink Order Form

Single Bowl - Available in up to 9 standard lengths, depending on bowl selected, with fixed depth and height. Use **Worksheet** to specify bowl placement measurements. Pricing can be found on dealer price sheets.

Send this completed order form, along with worksheet and purchase order to:

MTI Order Entry Department
 Phone: 800-783-8827 Fax: 800-438-8827
 Email: orderentry@mtibaths.com

Vanity Size

| Length | Finish | Part # | Price |
|--------|--------|----------|-------|
| 24" | Matte | CV-S24MT | |
| | Gloss | CV-S24GL | |
| 30" | Matte | CV-S30MT | |
| | Gloss | CV-S30GL | |
| 36" | Matte | CV-S36MT | |
| | Gloss | CV-S36GL | |
| 42" | Matte | CV-S42MT | |
| | Gloss | CV-S42GL | |
| 48" | Matte | CV-S48MT | |
| | Gloss | CV-S48GL | |
| 54" | Matte | CV-S54MT | |
| | Gloss | CV-S54GL | |
| 60" | Matte | CV-S60MT | |
| | Gloss | CV-S60GL | |
| 66" | Matte | CV-S66MT | |
| | Gloss | CV-S66GL | |
| 72" | Matte | CV-S72MT | |
| | Gloss | CV-S72GL | |

Single Bowl Models

| Bowl name | Bowl size (rounded) | Fits vanity (size range) | Part # | Price |
|-------------|---------------------|--------------------------|--------------|------------------|
| Petra 1 | 16" x 14" | 24" to 72" | C801S | no charge |
| Petra 2 | 15" x 10" | 24" to 72" | C802S | no charge |
| Petra 3 | 18" x 12" | 24" to 72" | C803S | no charge |
| Petra 4 | 20" x 13" | 30" to 72" | C804S | |
| Petra 5 | 46" x 12" | 54" to 72" | C805S | |
| Petra 6 | 46" x 12" | 54" to 72" | C806S | |
| Petra 7 | 40" x 13" | 48" to 72" | C807S | |
| Petra 8 | 40" x 13" | 48" to 72" | C808S | |
| Petra 9 | 13" x 8" | 24" to 72" | C809S | |
| Wymara 1 | 18" x 14" | 24" to 72" | C821S | no charge |
| Wymara 2 | 33" x 14" | 42" to 72" | C822S | |
| Alissa | 19" x 13" | 24" to 72" | C841S | no charge |
| Halo | 14" dia. | 24" to 72" | C861S | no charge |

Required Information

| | Part # | Price | |
|----------------------------|-----------|-------|-----------|
| Vanity Sink Style | Parsons | CPVS | no charge |
| | Waterfall | CWVS | |
| Colors | White | CWH | no charge |
| | Biscuit | CBI | no charge |
| Integrated Overflow | None | CION | no charge |
| | Rear bowl | CIOB | |
| Faucet Holes | None | CFHN | no charge |
| | Up to 3* | CFH | |

Options and Accessories

| | Part # | Price | |
|---|-------------------|---------|--|
| Backsplash 4" (H) x 5/8" thick | 24" to 48" length | CBSM | |
| | 54" to 74" length | CBLG | |
| Sidesplash 4" (H) x 5/8" thick | Left | CSL | |
| | Right | CSR | |
| Floating Shelf See next page for overall dimensions of each size and a listing of compatible Vanity Sink sizes. | Small - matte | CFSSMT | |
| | Small - gloss | CFSSGL | |
| | Medium - matte | CFSMMT | |
| | Medium - gloss | CFSMGL | |
| | Large - matte | CFSLMT | |
| | Large - gloss | CFSLGL | |
| | X-Large - matte | CFSXLMT | |
| | X-Large - gloss | CFSXLGL | |
| Teak Sink Tray | CTKST | | |

Available vanity styles - choose from one of the following: See "Required Information" to the left and make a selection.

Parsons - featuring four legs with vanity open on all sides.

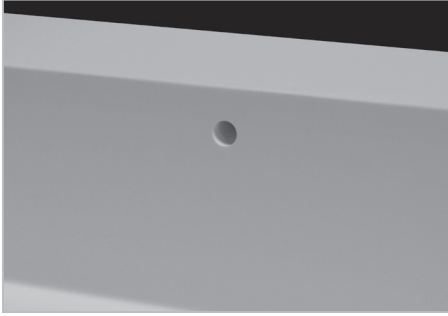


Waterfall - finished appearance on left & right side of vanity.



Additional construction and options information:

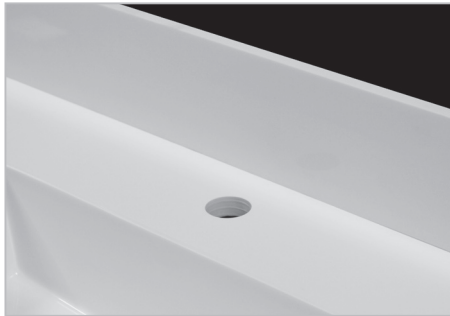
Integrated overflow can be installed on the inside back wall of sink.



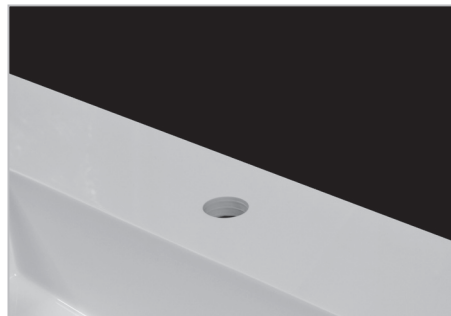
Faucet Holes - up to 3 drilled.
Standard hole size is 1-3/8" in diameter.
Must provide specific drilling instructions on order form.



Backsplash / Sidesplash measures 4" (H) and 5/8" thick.
Field-installed on finished surface of vanity.



Shown above with optional backsplash.



Shown above without a backsplash.

Floating Shelf is available in four lengths: 24" (small), 30" (medium), 42" (large) and 48" (extra large). Each size measures 17" deep x 3" high and is open on the bottom side to accommodate mounting hardware (included). Wall-mounted floating shelf is designed to mount below the Vanity Sink. Shelf provides storage for towels, toiletries and a variety of bathroom accessories. *See ordering information below.*

Ordering Information:

- 24" shelf fits beneath Vanity Sink 36" and up.
- 30" shelf fits beneath Vanity Sink 42" and up.
- 42" shelf fits beneath Vanity Sink 54" and up.
- 48" shelf fits beneath Vanity Sink 60" and up.