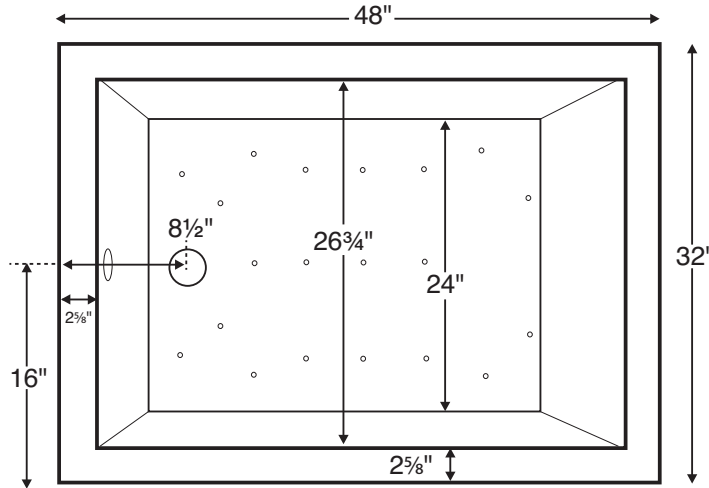


Andrea® 25
48" x 32" x 18"

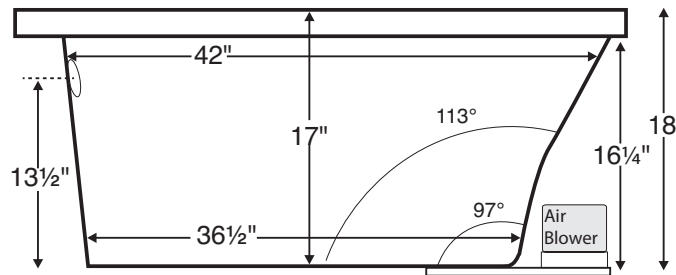


GENERAL SPECIFICATIONS:

Material - Acrylic
Installation - Drop-in or Undermount
Soaker Weight - 90 lbs / 41 kg
Maximum Fill - 49 gal to overflow
NOTE: Filling this tub to the maximum may require an above average size or dedicated water heater.



Shown with Air Massage Package.



IMPORTANT:
 Air baths and tubs with a pre-leveled foam base or frame system add 2-3" to overall tub height.

ELECTRICAL COMPONENTS & SPECIFICATIONS

Required Electrical Service - 110 Volt

Hydrotherapy Package	Components Included	GFCI
Air Massage	heated blower	1-15 amp
Air Massage Elite	heated blower, chromatherapy	1-15 amp

For electrical requirements of tub options, see page C-2.

CSA Certified C/US; ANSI Z124.1 for plastic tubs and ANSI 112.19.7 for whirlpool components.

IMPORTANT ORDERING & INSTALLATION INFORMATION:

- Before ordering or installing, please consider future access to equipment.
- Add bedding compound to fully level and support bottom of tub.
- Tubs equipped with an air bath or a pre-leveled foam base are designed to rest on the floor *without* bedding compound, provided the floor is level.
- **Overall tub height is increased by approx. 2-3" when tub is equipped with any air bath package or when pre-leveled foam base or frame system is ordered.**
- Please measure tub **on-site** before building tub decking.
- If you are planning to use a glass enclosure, MTI must be advised when ordering for possible relocation of controls.
- Control locations may vary.
- Specifications and configurations are subject to change without notice.
- Measurements are $\pm 1/2"$ and are subject to change without notice.
- Measurements herein supersede all others published prior to publication date shown below.

See the "Designer Collection Tubs Installation & Operation Manual" included with tub delivery or go to mtibaths.com/support/installation_operation/manuals for all the information necessary to install and operate the tub.

MTI's Customer Service Department is available Monday-Friday 8am-6pm EST at 800-783-8827 or customerservice@mtibaths.com to answer any questions pertaining to ordering or installation.



Hydrotherapy Packages	Package Contents	Standard Pump/Blower Locations	Part # <i>Specify 'DI' for drop-in or 'UM' for undermount</i>	MSRP
Soaker	soaking bath - no jets		S212-DI S212-UM	\$1,830
Air Bath Packages	<i>Air Massage</i> 20 air jets, heated air blower, pre-leveled foam base (increases overall height 2-3")		AST212-DI AST212-UM	\$4,430
	<i>Air Massage Elite</i> 30 air jets, heated air blower, Chromatherapy LED lighting, Spa Mode*, pre-leveled foam base (increases overall height 2-3") *Spa Mode not available if ordering Radiance option		AE212-DI AE212-UM	\$6,030

Lead Time - Soakers - 5 business days
Air Baths - 7 business days

NOTE: Air Baths, Pre-Leveled Foam Base or Frame Systems increase overall height by 2-3".

Premium Options	<i>NOTE: part codes for all options listed in parenthesis.</i>
Stream Bath - provides a relaxing water current (STREAM) \$1,695 <i>Available for soaker or air bath packages only. See p. C-3 for detailed specifications.</i>	
Radiance - integrated tub shell heating system (RAD100) \$999 <i>see p. C-5</i>	
Chromatherapy - underwater LED lighting (LE) \$560 <i>see p. C-6</i> <i>Included in some hydrotherapy packages listed above.</i>	
Stereo H₂O - includes 4 integrated audio transducers (STEREOH2O) \$1,099 <i>Requires audio source(s) and amplification not provided by MTI - see p. C-7.</i>	
Standard Options	
Standard Colors: White (CWH), Bone (CBN), Biscuit (CBS) Color Upgrade: (COL2) \$485 <i>See p. C-1 for individual color part codes.</i>	
Quick Ship - reduces lead time - please call for availability (QSPRI) \$350	
Textured, Slip-Resistant Bottom - meets ASTM F-462-1994 (TXBTM) \$70	
Virtual Spout - high-flow integrated tub filler (FPMJ) \$300 <i>see p. C-11</i>	
Low-Profile Rim - reduces rim height to 9/16" (LPR) \$115 <i>see p. C-10</i>	
Inline Heater - included in some hydrotherapy packages listed above - <i>see p. C-9</i> Soaker, Air Baths or Stream Bath (HTISOAK) \$695 <i>Includes a recirculating pump.</i>	
Installation Aids	
Tile Flange <i>must specify flange location(s) on order - see p. C-26</i> <i>Note: Tile flange not available with Low-Profile Rim option.</i> Factory-Installed on 3 sides - rigid ABS (TFK3) \$175 Field Install Kit - includes rigid ABS & adhesive (TFKNI) \$160	
Pre-Leveled Foam Base - for soaker or whirlpools (PLFOAM) \$165 <i>see p. C-27</i>	
Pre-Leveled Frame and Foam Base (PLF) \$475 <i>see p. C-27</i>	
Pre-Leveled Frame and Foam Base with Skirting <i>see pp. C-27-C-29 for info.</i>	

Accessories & Hardware for All Packages
Drain Kits - other finishes also available <i>see pp. C-12-13</i>
Toe-Tap with Slim-Line Integrated Overflow <i>Choose from:</i> Chrome (SLOT C), Brushed Nickel (SLOTBN), Polished Nickel (SLOT PN) or White (SLOTWH) \$400
Toe-Tap with Rectangular Overflow - Chrome (WOTRC) \$260 ; Brushed Nickel (WOTRBN) \$265 ; White (WOTRW) \$265
Toe-Tap with Round Overflow - Chrome (WOTTC) \$260 ; Brushed Nickel (WOTTBN) \$265 ; Polished Nickel (WOTTPN) \$315
Cable Driven - Chrome (WOCD) \$290 ; Brushed Nickel (WOCDBN) \$335 ; Polished Nickel (WOCDPN) \$475 ; Oil-Rubbed Bronze (WOCBOR) \$475
Lift & Turn - Chrome (WOC) \$115 ; Brushed Nickel (WOBN) \$210
Grab Bars - 9" Curved, set of 2 <i>see p. C-14</i> Acrylic - color-matched with tub - <i>standard colors only</i> (GB) \$290 Metal - Chrome (GBMCC), Brushed Nickel (GBMCCBN) \$320
Pillows - from \$115 <i>see p. C-14</i>
Teak Tub Tray - Slatted (TK-TRAY1) or Solid (TK-TRAY2) \$395 <i>see p. C-15</i>
Teak Bath Mat (TK-MAT3018) \$395 <i>custom sizes also available - see p. C-15</i>