

Note: See parts breakout on opposite side of page when specific part numbers are mentioned below. Both Contemporary and Traditional Design Tub Fillers share the same parts, with the exception of trim pieces.

1. In addition to tools included with kit, gather the required tools needed for installation: drill with 1/4" bit, hammer, adjustable wrench and a #2 phillips head screwdriver.
2. Screw brass support base (Part # 26) into the bottom of the faucet riser (Part # 21).
3. Place the faucet in the final location where it will be secured to the floor. Mark the location of the three screw holes to be drilled into floor. The point of attachment at the floor is the only support for the tub filler; the filler does not require stabilization from an additional support arm.
4. Drill the three 1/4" holes. Install the supplied anchors (wood applications ONLY). Use suitable floor anchors for other floor material applications. Unscrew the brass support base from the faucet and slide the escutcheon onto the base of the faucet. Screw the brass support base back onto the faucet riser. Tighten set screw (part # 22) using hex key.
5. Connect the 1/2" female supply lines to the 1/2" male connections stubbed out from the subfloor; use the supplied teflon tape if needed.
6. Align the holes of the mounting base with holes in the floor and secure with the provided Philips head screws. Do not slide the escutcheon cover down until the final leak check is completed. See step #9
7. Insert the spout into the top of the faucet and secure the set screw with the supplied Allen Wrench.
8. Place washer in the end of the hose for the hand shower and connect the hand shower hose to the outlet next to the water control.
9. Test the faucet to make sure there are no leaks and slide the escutcheon down to cover the supply lines.

IMPORTANT: The tub filler is not designed to bear weight. Do not use as a hand rail or support while entering or exiting the bath. Do not allow small children to play with, or hold onto, the fixture. Doing any of the aforementioned may cause leaks and/or damage that will not be covered under warranty.



Contemporary Design

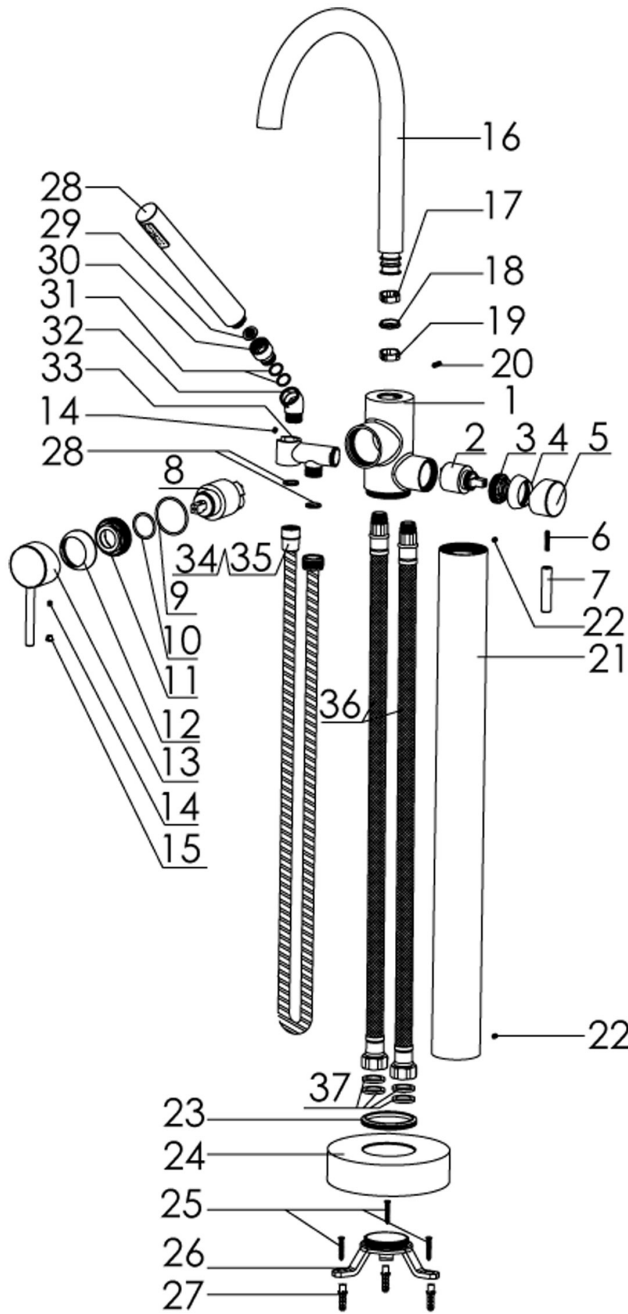


Traditional Design

Parts Breakout

Note: Contemporary tub filler shown in diagram below.

Parts for Traditional design model is identical except for decorative trim.



NO.	Part Code	QTY
1	A00321	1
2	F00004	1
3	A00001	1
4	A00000	1
5	A00093	1
6	B00027	1
7	A00333	1
8	F00004	1
9	D00099	1
10	D00100	1
11	A00325	1
12	A00093	1
13	C00100	1
14	B00000	2
15	E00000	1
16	A00330	1
17	A00115	1
18	D00016	1
19	E00007	1
20	B00047	1
21	A00324	1
22	B00052	2
23	E00061	1
24	A00320	1
25	B00053	3
26	A00329	1
27	E00063	3
28	E00062	1
29	D00076	3
30	A00332	1
31	D00098	2
32	A00331	1
33	A00329	1
34	H00020	1
35	D00089	1
36	H00021	2
37	D00034	4

For assistance, please contact MTI's customer service at 800-783-8827, or email at customerservice@mtibaths.com.