

# Alissa (#127)

61" x 35.5" x 21"

**GENERAL SPECIFICATIONS:**

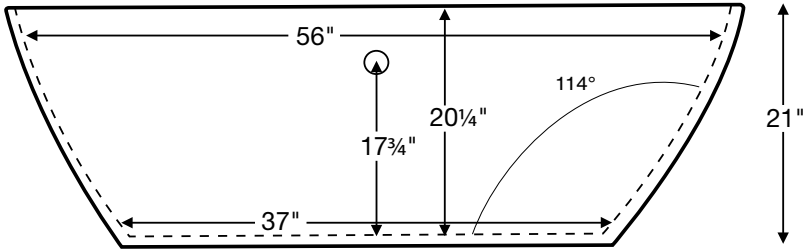
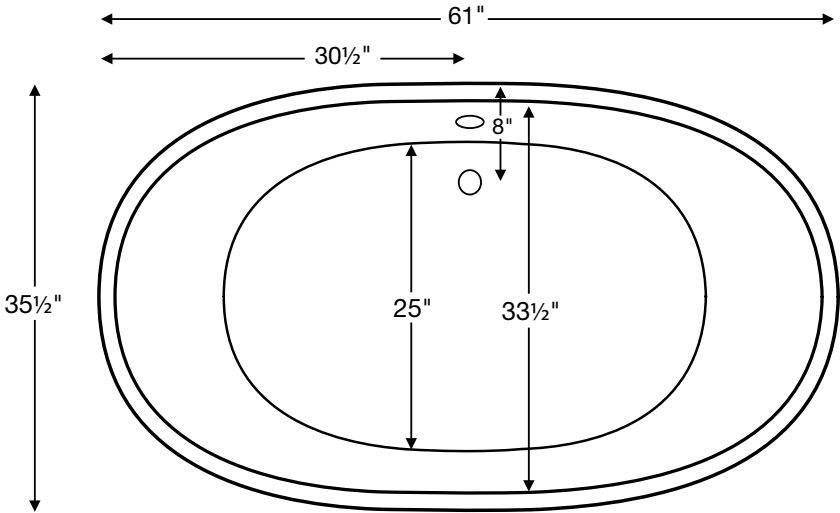
**Material** - SculptureStone®

**Installation** - Freestanding - *Not recommended as a tub / shower combination.*

**Soaker Weight** - 215 lbs / 98 kg

**Maximum Fill** - 84 gal to overflow

**NOTE:** *Filling this tub to the maximum may require an above average size or dedicated water heater.*



**ELECTRICAL SPECIFICATIONS**

Required Electrical Service - 110 Volt

Air Bath - 1-15 amp GFCI


CSA Certified C/US; ANSI Z124.1

**IMPORTANT ORDERING & INSTALLATION INFORMATION:**

- Alissa #127 is available only as a soaker. To order an air bath see Alissa #198
- Requires partial or complete sub-floor drain installation. See installation manual for important installation information.
- Tub is pre-drilled with an overflow, but can be specified without (see local codes).
- Requires use of a wall-mounted or freestanding tub filler.
- Measurements are + 1/2" and are subject to change without notice.
- Options and accessories are packaged inside the tub crate for delivery.
- Data herein supersedes all prior to publication date shown below.

See the "Boutique Collection Tubs Installation & Operation Manual" included with tub delivery or go to: [mtibaths.com/support/installation](http://mtibaths.com/support/installation) for all the information necessary to install and operate the tub. MTI's Customer Service Department is available Monday-Friday 8am-6pm EST at 800-783-8827 or [customerservice@mtibaths.com](mailto:customerservice@mtibaths.com) to answer any questions pertaining to ordering or installation.



Hydrotherapy Packages	Package Contents	Part #	MSRP
 <b>Soaker</b>	Soaking bath - no jets. Includes a decorative toe-tap drain kit in chrome finish. Notes: • See "Important Ordering & Installation Information" on previous page. • Please see installation manual for important drain installation details.	<b>S127</b>	<b>\$7,065</b>

Lead Time - Soakers and Air Bath Packages 10 business days

Color and Finish Options
NOTE: part codes for all options listed in parenthesis. <b>Standard Color</b> - White, matte finish <b>Biscuit Color Upgrade, matte finish</b> - (SSBI) <b>\$260</b>
<b>Optional Gloss Finish Upcharge</b> - For White or Biscuit (SSGLOSS) <b>\$645</b> Additional material colors available for projects only. Please call MTI.
<b>Exterior Color in Gloss only</b> - (SSCOLTG) <b>\$1,500</b> Must specify color code: Blue Lagoon (BL), Terracotta (TC), Onyx (OX), Nightfall (NF), Stormgray (SG), Moonstone (MS) See the colors at: mtibaths.com/about-products/tub-options/colors/
Optional Hardware
<b>Toe-Tap Drain Kit with Exposed Overflow Finishes</b> Chrome (included with tub) Brushed Nickel upcharge* (DKSSBN) <b>+\$90</b> Polished Nickel upcharge* (DKSSPN) <b>+\$90</b> Special Finish upcharge* (DKSSSF) <b>+\$1,410</b>
<b>Floor-Mounted High-Flow Tub Filler</b> - two designs available Contemporary - Chrome (FILLC) <b>\$2,055</b> Brushed Nickel (FILLBN) <b>\$2,220</b> Traditional - Chrome (FILLTC) <b>\$2,055</b> Brushed Nickel (FILLTBN) <b>\$2,220</b>
<b>Faucet Stands</b> - Available in two styles and & multiple sizes <b>Standard Faucet Stand, Matte Finish</b> Small / 21.75" x 14.25" / 3-hole capacity - (STAND) <b>\$945</b> Large / 21.75" x 22" / 5-hole capacity - (STANDL) <b>\$1,060</b> Gloss Finish Upcharge (SSGLOSSNK) <b>\$205</b> <b>Premium Faucet Stand</b> 39" h x 15" w - Matte - (SSFSR3915MT) <b>\$1,770</b> Gloss - (SSFSR3915GL) <b>\$2,085</b> 39" h x 10" w - Matte - (SSFSR3910MT) <b>\$1,770</b> Gloss - (SSFSR3910GL) <b>\$2,085</b> 23" h x 20" w - Matte - (SSFSR2320MT) <b>\$1,505</b> Gloss - (SSFSR2320GL) <b>\$1,820</b> 23" h x 15" w - Matte - (SSFSR2315MT) <b>\$1,505</b> Gloss - (SSFSR2315GL) <b>\$1,820</b>

Standard Options and Accessories
NOTE: part codes for all options listed in parenthesis. <b>Quick Ship</b> - reduces lead time - please call for availability (QSPRI2) <b>\$755</b>
<b>Bathroom Table</b> - Constructed of SculptureStone® (TABLE) <b>\$965</b> color matched with tub Gloss Finish Upcharge (SSGLOSSNK) <b>\$215</b>
<b>SculptureStone® Tub Tray</b> - color / finish matched with tub Solid without stemware holder (SSTRAY1) <b>\$440</b> Solid with Stemware Holder (SSTRAY2) <b>\$440</b>
<b>Teak Tub Tray</b> - Slatted (TK-TRAY1) <b>\$415</b> Solid (TK-TRAY2) <b>\$415</b>
<b>Teak Bath Mat</b> - Measures 30" x 17.5" x 1" (TK-MAT3018) <b>\$430</b> custom sizes also available, contact MTI for details

**NOTES REGARDING DRAIN KITS:**

- This tub includes a toe-tap drain chrome finish, unless otherwise specified.
- Above pricing represents finish upcharge only. Contact MTI for pricing when drain is ordered separately.
- For "Special Finish", must send MTI a finish sample to color match.
- Requires partial or complete sub-floor drain installation. See installation manual for important installation information.

