

MTI BASICS® TUBS



Features integral front skirting, armrests & tile flange on 3 sides.

MBIS6030
Integral-Skirted Tub
59.75" x 30" x 19.25"

Installation: Alcove

GENERAL SPECIFICATIONS:

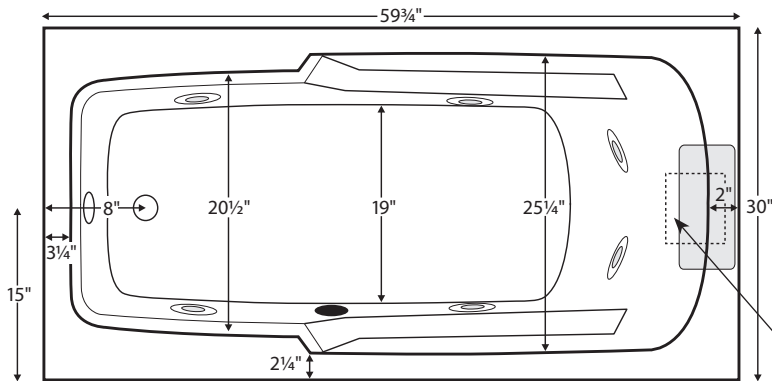
Material	Acrylic
Plumbed Weight	122 lbs / 55 kg
Soaker Weight	98 lbs / 45 kg
Average Fill	40 gal to above jet level
Maximum Fill	48 gal to overflow

NOTE: Filling this tub to the maximum may require an above average size or dedicated water heater.

ELECTRICAL SPECIFICATIONS:

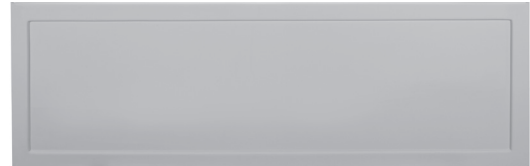
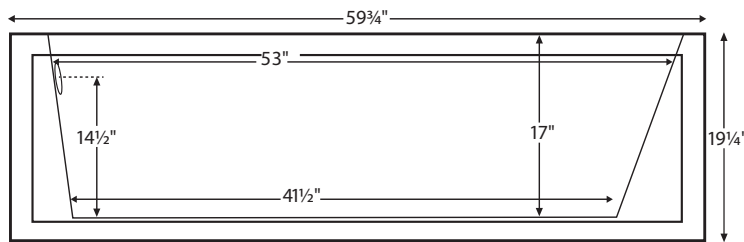
Required Electrical Service	110 Volt
Air Bath or Whirlpool	1-15 amp GFCI
Whirlpool with Inline Heater	1-15 amp GFCI
Soaker with Inline Heater	1-15 amp GFCI
Air Bath with Inline Heater	2-15 amp GFCI

CSA Certified C/US; ANSI Z124.1 for plastic tubs and ANSI 112.19.7 for whirlpool components.



Shown with Whirlpool Package.

Compliance Label
Model MTXXXX
Made in USA
Complies with ANSI Z124.1-1995
CSA Certified C/US



front view of tub with non-removable front panel*

*Note: when ordered with an air bath or whirlpool, panel is removable.

Available with left- or right-hand drain location.
Must specify on order.

PACKAGES AND OPTIONS

Hydrotherapy Package	Package Contents	Part #
Soaker	soaking bath - no jets; integral front skirting, 3-sided integral tile flange, textured bottom, pre-leveled foam base	MBSIS6030
Whirlpool	6 point-massage jets, 1-bhp pump, integral front skirting, 3-sided integral tile flange, textured bottom, pre-leveled foam base	MBWIS6030
Air Bath	12 air jets, heated air blower, integral front skirting, 3-sided integral tile flange, textured bottom, pre-leveled foam base	MBAIS6030

OPTIONS

Standard Colors - White

Color Upgrade - Biscuit (MTISCOLOR)

Quick Ship - reduces lead time - call for availability

Inline Heater - Whirlpool (HTRMTIS)

Inline Heater with Pump - Soaker or Air Bath (MBHTISOAK)

Lift & Turn Drain Kit -

Chrome (MBWOC); Brushed Nickel (MBWOBN), White (MBWOW)

IMPORTANT INFORMATION

- Before ordering or installing, please consider future access to equipment.
- Jet, pump & blower locations are predetermined and cannot be changed.
- Suction and control locations may vary.
- Options listed cannot be combined with Designer Collection options.
- Specifications and configurations are subject to change without notice.
- Measurements are $\pm 1/2"$ and are subject to change without notice.
- Measurements herein supersede all others published prior to publication date shown below.

