

Features integral front skirting, armrests & tile flange on 3 sides.

# MBIS6032

## Integral-Skirted Tub

### 60" x 32" x 19.25"

Installation: Alcove

**GENERAL SPECIFICATIONS:**

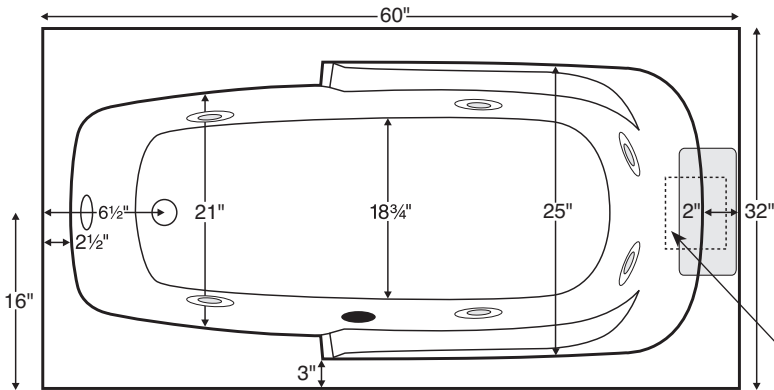
<b>Material</b>	Acrylic
<b>Plumbed Weight</b>	129 lbs / 59 kg
<b>Soaker Weight</b>	105 lbs / 48 kg
<b>Average Fill</b>	34 gal to above jet level
<b>Maximum Fill</b>	51 gal to overflow

NOTE: Filling this tub to the maximum may require an above average size or dedicated water heater.

**ELECTRICAL SPECIFICATIONS:**

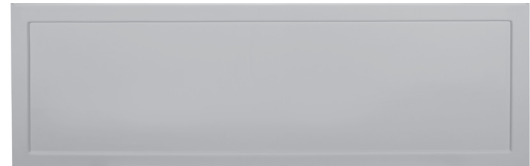
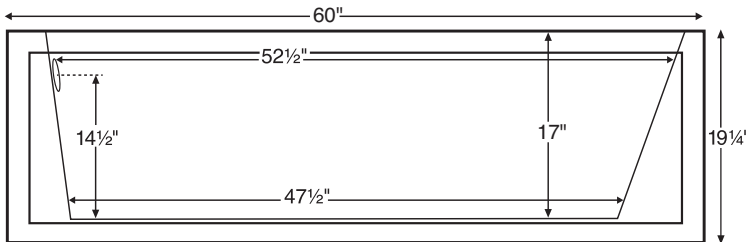
<b>Required Electrical Service</b>	110 Volt
<b>Air Bath or Whirlpool</b>	1-15 amp GFCI
<b>Whirlpool with Inline Heater</b>	1-15 amp GFCI
<b>Soaker with Inline Heater</b>	1-15 amp GFCI
<b>Air Bath with Inline Heater</b>	2-15 amp GFCI

CSA Certified C/US; ANSI Z124.1 for plastic tubs and ANSI 112.19.7 for whirlpool components.



Shown with Whirlpool Package.

Compliance Label  
 Model MTXXXX  
 Made in USA  
 Complies with  
 ANSI Z124.1-1995  
 CSA Certified C/US



front view of tub with non-removable front panel\*

\*Note: when ordered with an air bath or whirlpool, panel is removable.

Available with left- or right-hand drain location.  
 Must specify on order.

**PACKAGES AND OPTIONS**

Hydrotherapy Package	Package Contents	Part #
<b>Soaker</b>	soaking bath - no jets; integral front skirting, 3-sided integral tile flange, textured bottom, pre-leveled foam base	<b>MBSIS6032</b>
<b>Whirlpool</b>	6 point-massage jets, 1-bhp pump, integral front skirting, 3-sided integral tile flange, textured bottom, pre-leveled foam base	<b>MBWIS6032</b>
<b>Air Bath</b>	12 air jets, heated air blower, integral front skirting, 3-sided integral tile flange, textured bottom, pre-leveled foam base	<b>MBAIS6032</b>

**OPTIONS**

- Standard Colors** - White
- Color Upgrade** - Biscuit (MTISCOLOR)
- Quick Ship** - reduces lead time - call for availability
- Inline Heater** - Whirlpool (HTRMTIS)

- Inline Heater with Pump** - Soaker or Air Bath (MBHTISOAK)
- Lift & Turn Drain Kit** - Chrome (MBWOC); Brushed Nickel (MBWOBN), White (MBWOW)

**IMPORTANT INFORMATION**

- Before ordering or installing, please consider future access to equipment.
- Jet, pump & blower locations are predetermined and cannot be changed.
- Suction and control locations may vary.
- Options listed cannot be combined with Designer Collection options.
- Specifications and configurations are subject to change without notice.
- Measurements are ±1/2" and are subject to change without notice.
- Measurements herein supersede all others published prior to publication date shown below.

