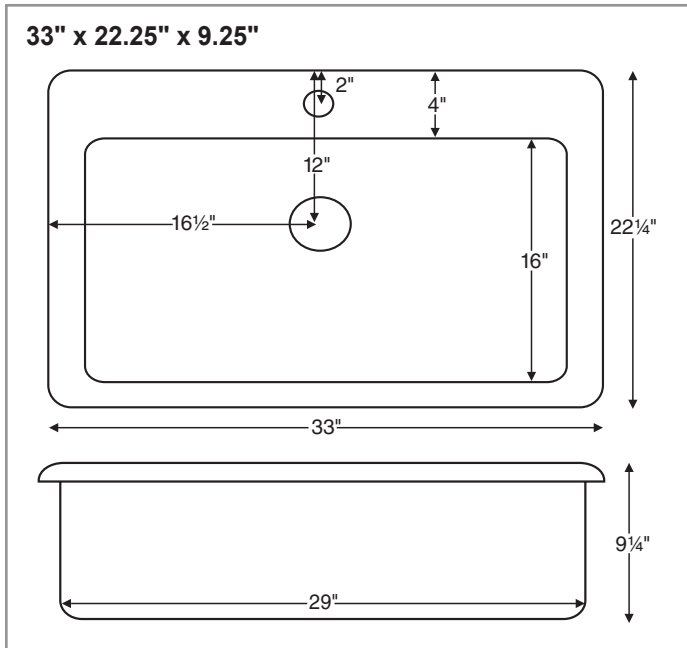


CONSTRUCTION AND STANDARD FEATURES

- Single-bowl design; 3.5" drain opening pre-drilled.
- Can be undermounted or caulked directly to the countertop without the use of clips or channels.
- No holes drilled standard; up to 4 holes drilled by MTI at no additional charge.
- Durable Lucite® cast acrylic shell is extremely scratch- and stain-resistant yet renewable because the color goes all the way through the material.
- Non-porous surface makes cleaning and sanitizing faster and more effective.
- Multi-layered reinforced backing of thick fiberglass / resin / titanium.
- Up to 30% thicker and stronger than other makes.
- 1-year limited residential and commercial warranty.



MBKS50

AVAILABLE COLORS

- White - Part # MBKS50W
- Bone, Biscuit - Part # MBKS50B
- Black, Sterling Silver - Part # MBKS50GRP1

OPTIONS

- Sink Grid - Part # MBLSG
- Quick Ship / Priority. Call for availability. - Part # QUISINKSH
- Shipping Weight: 20 lbs



Optional sink grid shown above.

NOTES: Measurements are $\pm 1/2"$ and are subject to change without notice. Data herein supersedes all previous prior to publication date indicated below.