

# MBOFS6636A

66" x 36" x 21¾"

**Installation:** Freestanding with above-floor rough-in

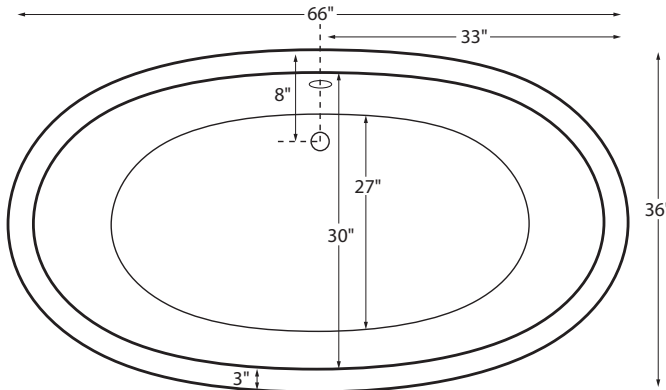
**GENERAL SPECIFICATIONS:**

**Material** .....Acrylic

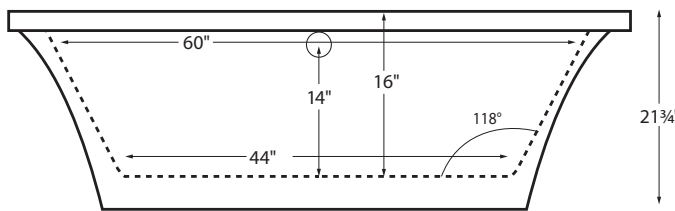
**Soaker Weight** .....125 lbs / 57 kg

**Maximum Fill**..... 60 gal to overflow

*NOTE: Filling this tub to the maximum may require an above average size or dedicated water heater.*



Requires use of a wall-mounted or freestanding tub filler. The drain and overflow assembly is concealed between the walls of the tub, eliminating the need for an exposed drain kit.



Footprint of tub measures 52" (l) x 33" (w).



Features a larger space underneath the tub for an above floor rough-in, making installation quick and easy. A Quick Connect Drain Kit (MBQUICK) is available and must be ordered with tub at the time of purchase.

## PACKAGES AND OPTIONS

Hydrotherapy Package	Package Contents	Part #
<b>Soaker</b>	soaking bath - no jets; textured bottom, pre-leveled foam base	<b>MBOFS6636A</b>
<b>Soaker with Virtual Spout</b>	soaking bath - no jets; includes Virtual Spout integrated high-flow tub filler (see important information below), textured bottom, pre-leveled foam base	<b>MBOFS6636AVS</b>

### OPTIONS

**Standard Color** - White

**Color Upgrade** - Biscuit (MBFSCOL)

**Quick Ship** - reduces lead time - call for availability

**Lift & Turn Drain Kit** -

Chrome (MBWOC); Brushed Nickel (MBWOBN), White (MBWOW)

**Quick Drain Connect Kit** - Not available separately, must be ordered with tub  
Standard (MBQUICK), Cast Iron (MBQUICKI)

**NOTE:** Tub includes an access panel (standard), for drain or Virtual Spout installation. Depending on how the tub is positioned, the panel may be visible. Access panel can be eliminated by request, which will increase installation difficulty.  
**Must specify on order.**

## IMPORTANT INFORMATION

- Options listed cannot be combined with Designer Collection options.
- Specifications and configurations are subject to change without notice.
- Measurements are ±1/2" and are subject to change without notice.
- Measurements herein supersede all others published prior to publication date shown below.

- The **Virtual Spout** is installed below the water level of the tub. MTI supplies a Wilkins dual check valve and an Acme in-wall atmospheric vent to prevent backflow into the potable water supply. However, some areas of the country require additional backflow prevention when water is introduced to the bath below the water level (check local codes).

