

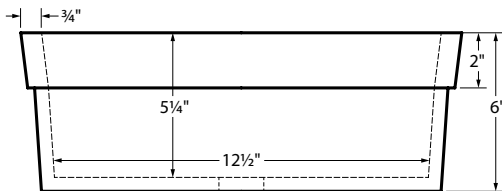
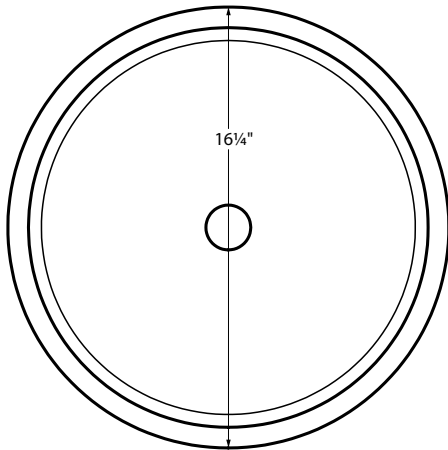
# Continuum Round

Part # - MTCS-760

16.25" x 16.25" x 2"

**Installation:** semi-recessed or undermount

**Lead Time - 10 Business**



<b>Sink Options and Pricing</b> NOTE: part codes for all options listed in parenthesis.
<b>Part #: MTCS-760 - \$1,060</b>
<b>Standard Color</b> - White, matte finish <b>Biscuit Color Upgrade, matte finish</b> - (SSBISNK) <b>\$100</b>
<b>Optional Gloss Finish Upcharge</b> - For White or Biscuit (SSGLOSSENK) <b>\$205</b> Additional material colors available for projects only. Please call MTI.
<b>Quick Ship</b> - reduces lead time - please call for availability (QUISINKSH) <b>\$185</b>



Continuum shown above with countertop material installed.

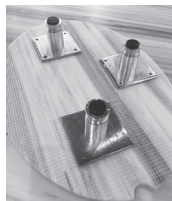
Note: countertop material is NOT included with sink.

### About Continuum sink:

- Designed by Matthew Quinn, Continuum is a semi-recessed sink that utilizes the countertop hole cut-out inside the sink bowl.
- This design enables the striations of the counter material to visually continue through the sink, as shown in the above photos.
- Only the top 2" of the sink rim rests on the countertop.
- Rim can be extended up to 4.25" on request.
- Included are leveling feet to support the cut-out in the sink bowl.

## CONSTRUCTION AND STANDARD FEATURES

- Single-bowl design; 1.5" drain opening.
- Sink has no overflow. Requires vessel-style drain kit without overflow. Check local codes.
- Continuum is a semi-recessed model, which allows only the top 2" sink rim to rest on the vanity.
- Sink may be used with or without countertop cut-out. Note: countertop material is not included.
- Adjustable leveling feet support the cut-out in the sink bowl and are included with sink as shown to the right.
- One-piece construction.



- Constructed using MTI's Engineered Solid Stone™ (ESS) material, which is a mixture of ground natural materials and binding agents that are liquefied, poured and then hardened.
- Approximately 65% of the material is organic, including minerals mined from the earth, making it "Green".
- Same material and color all the way through, with minor variations due to use of natural minerals.
- Durable, non-porous material is easy to clean.
- Stain, mold and mildew-resistant.
- 5-year Limited Residential Warranty.
- Shipping weight: 18 lbs.

NOTES: SINK IS SEMI-RECESSED AND MUST BE MEASURED ON-SITE TO ENSURE ACCURATE DIMENSIONS OF HOLE CUT-OUT.

In addition, templates are supplied with sink at no charge to facilitate installation. If templates are needed prior to shipment of sink, customer is responsible for actual shipping charges of the templates. Measurements are ±1/2" and are subject to change without notice. Data herein supersedes all previous prior to publication date indicated below.