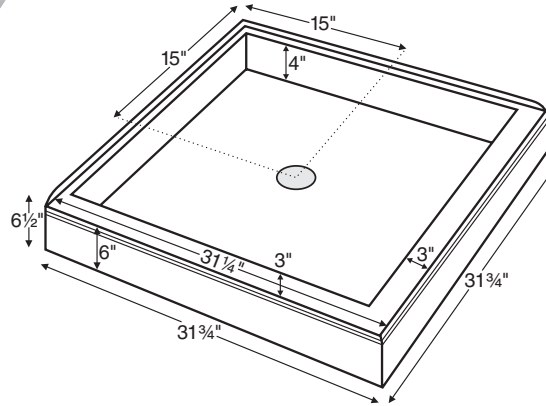


MTSB-3232DT

31.75" x 31.75" x 6"

Dual Threshold
Center Drain / Square



Shower Base

Standard Colors: Part # SB3232DT **\$1,225** Choose from:

White (CWH), Bone (CBN), Biscuit (CBS), Almond (CAL)

Other Colors: Part # SB3232DTGRP1 **\$1,445** Choose from:

Black (CBL), Cashmere (CCM), Ice Gray (CIG), Red (CRED)
Mexican Sand (CMS), Sandbar (CSB), Sterling Silver (CSS) Quick
Ship/Priority - reduces lead time (QSPRI) Call for availability. **\$370**

Options

PVC Drain Kit with Chrome cover (included with shower base)

Also available in the following finishes:

Brushed Nickel (SBDKBN) **\$75**

Special Finishes (SBDKSF) **\$235** Send sample - allow 2 weeks.

Solid Brass Drain Kit with Stainless cover (SBDKSB) **\$180**

Pre-Leveled Foam Base (PLFSB) **\$155** see p. E-71

Accessories - see pp. E-73-E-79

Teak Shower Seat -

Premium - Natural Stainless (TK-SSEAT2416BNS) **\$2,270**

- High-Polished Stainless (TK-SSEAT2416BHP) **\$2,625**

Standard - Natural Stainless (TK-SSEAT2215NS) **\$840**

- High-Polished Stainless (TK-SSEAT2215HP) **\$1,160**

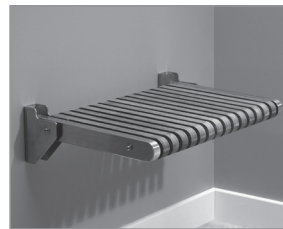
Teak Shower Tray (TK-3232DT) **\$510**

Teak Bath Mat (TK-MAT3018) (custom sizes also available) **\$410**

Shower Niche - constructed of Engineered Solid Stone (ESS)

Matte Finish - White (SSNWHMT) or Biscuit (SSNBSMT) **\$460**

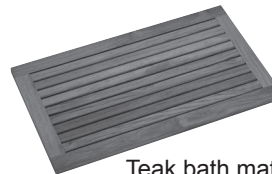
Gloss Finish - White (SSNWHGL) or Biscuit (SSNBSGL) **\$615**



Premium teak seat
Size 24" x 16"



Standard teak seat
Size 22" x 15"



Teak bath mat



Teak shower tray



Shower niche

CONSTRUCTION AND STANDARD FEATURES

- Dual threshold design; 3.5" drain opening pre-drilled.
- Integral tile flange on 2 sides to facilitate installation.
- Textured bottom that meets ASTM F-462-1994 certification requirements for safer showering.
- Durable Lucite® cast acrylic shell is extremely scratch- and stain-resistant, yet renewable because the color goes all the way through the material.
- Non-porous surface makes cleaning and sanitizing faster and more effective.
- Multi-layered backing of thick fiberglass / resin / titanium encloses wood reinforcement to prevent flexing of floor pan.
- At least 30% thicker and stronger than other makes.
- Lead time - 5 business days.
- 10-year Limited Residential Warranty.
- Shipping Weight: 65 lbs

SHOWER BASE INSTALLATION: Add bedding compound to fully support bottom of shower base. MTI's optional Pre-Leveled Foam Base requires no additional bedding compound or support. See installation instructions. Measurements are $\pm 1/2"$ and are subject to change without notice. Data herein supersedes all previous prior to publication date indicated below.