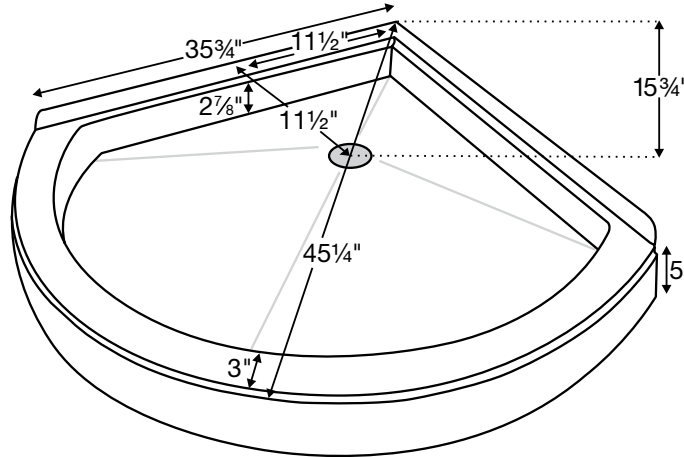


MTSB-36CT

35.75" x 35.75" x 5"

GENERAL SPECIFICATIONS:

Material - Acrylic
 Shipping Weight - 65 lbs / 29 kg
 Threshold - Single Threshold
 Drain Location - Offset



Lead Time - 4 business days

ASTM F-462-1994 Certified

Model #	Color Options	Size	Shape	MSRP
SB36CT	White (CWH), Bone (CBN), Biscuit (CBS)	35.75" x 35.75" x 5"	Curved Front	\$1,275
SB36CTGRP1	Black (CBL) Sterling Silver (CSS)	35.75" x 35.75" x 5"	Curved Front	\$1,490

Standard Options
Quick Ship - Reduces lead time. Please call for availability. (QSPRI) \$380
Radiance® - Shower floor heating system. (RAD100) \$1,080 Radiance heating grids are fully integrated within the acrylic shell structure of the shower floor. Requires a 110-volt, 15 amp GFCI and remote installation of control box & keypad.
Pre-Levelled Foam Base (PLFSB) \$160
Optional Hardware NOTE: Part codes for all options listed in parenthesis.
PVC Drain Kit Finishes Chrome (included with shower base) Brushed Nickel upcharge* (SBDKBN) \$60 Special Finishes upcharge* (SBDKSF) \$295 Must send sample and allow 2 weeks additional lead time Solid Brass Drain Kit with Stainless cover (SBDKSB) \$185

Accessories
Shower Niche - Constructed of SculptureStone®. Matte Finish - White (SSNWHMT) \$480 Gloss Finish - White (SSNWHGL) \$640
Teak Shower Seat - Premium Natural Stainless (TK-SSEAT2416BNS) \$2,385 High-Polished Stainless (TK-SSEAT2416BHP) \$2,755 Standard Natural Stainless (TKSSEAT2215NS) \$880 High-Polished Stainless (TKSSEAT2215HP) \$1,220
Teak Bath Mat - Measures 30" x 17.5" x1". (TK-MAT3018) \$430 Custom sizes also available. Contact MTI for details.
Teak Shower Tray - (TK36CT) \$745

IMPORTANT ORDERING & INSTALLATION INFORMATION:

- 3.5" drain opening pre-drilled.
- 2-sided integral tile flange to facilitate installation.
- Textured bottom meets certification requirements for safer showering.
- Measurements are ± 1/2" and are subject to change without notice.
- Data herein supersedes all prior to publication date shown below.

See the "Designer Collection Shower Bases Installation & Operation Manual" included with pan delivery or go to: mtibaths.com/support/installation for all the information necessary to install and operate the tub. MTI's Customer Service Department is available Monday-Friday 8am-6pm EST at 800-783-8827 or customerservice@mtibaths.com to answer any questions pertaining to ordering or installation.

