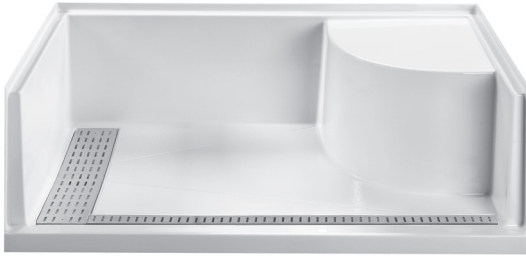


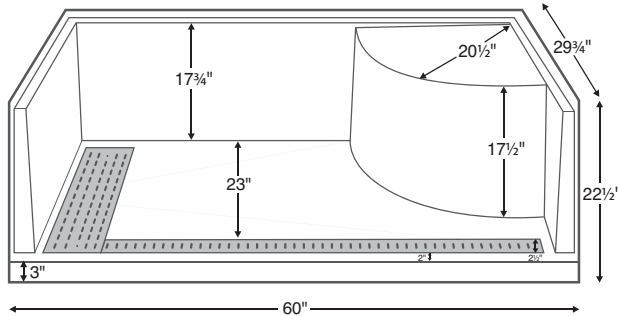
MTSB-6030BFSeated

60" x 29.75" x 22.5"

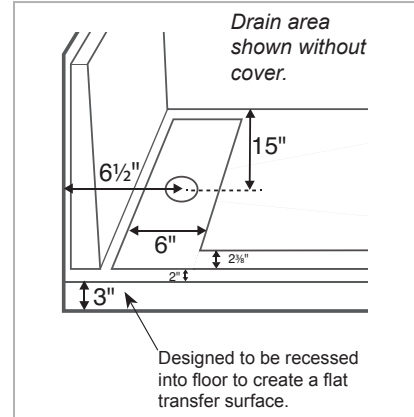
Barrier-Free / Seated
End Drain / Rectangle



Shown with standard Stainless Steel Drain Cover.
Also available powder coated in white.



NOTE: When ordering, please specify left- or right-hand drain.



Shower Base

Standard Colors: Part # SB6030BFSeated **\$2,350** Choose from:

White (CWH), Bone (CBN), Biscuit (CBS)

Other Colors: Part # SB6030BFSeatedGRP1 **\$2,685** Choose from:

Black (CBL), Sterling Silver (CSS)

Quick Ship/Priority - reduces lead time (QSPRI) Call for availability. **\$370**

Options

Drain Kit - PVC (included); Solid Brass upgrade (SBDKSB) **\$180**

Drain & Channel Cover - Stainless Steel (included)

Powder Coated - White* (DCT60W) no charge upgrade

Pre-Leveled Foam Base (PLFSB) **\$155**

Radiance® - shower surface heating system (RAD100) **\$1,050**

Radiance heating grids are fully integrated within the acrylic shell structure of the shower floor and seated area. Requires a 110-volt, 15 amp GFCI and remote installation of control box & keypad. For complete information, see p. E-72 or visit mtibaths.com.

Accessories

Shower Niche - constructed of Engineered Solid Stone (ESS)

Matte Finish - White (SSNWHMT) or Biscuit (SSNBSMT) **\$460**

Gloss Finish - White (SSNWHGL) or Biscuit (SSNBSGL) **\$615**



ESS shower niche

CONSTRUCTION AND STANDARD FEATURES

- Zero-barrier front threshold with integrated seat; designed for ease of transfer between bathroom and shower area.
- Features a unique design that collects the shower water in a concealed trough and channels it to the 3.5" drain.
- Includes complete drain assembly and one-piece stainless steel drain and channel cover. Also available powder coated in white at no charge (see "Options" above).
- 3-sided integral tile flange to facilitate installation.
- Textured bottom that meets ASTM F-462-1994 certification requirements for safer showering.

- Durable Lucite® cast acrylic shell is extremely scratch- and stain-resistant, yet renewable because the color goes all the way through the material.
- Non-porous surface makes cleaning and sanitizing faster and more effective.
- Multi-layered backing of thick fiberglass / resin / titanium encloses wood reinforcement to prevent flexing of floor pan.
- At least 30% thicker and stronger than other makes.
- Lead time - 5 business days.
- 10-year Limited Residential Warranty.
- Shipping Weight: 115 lbs

SHOWER BASE INSTALLATION: Shower base is designed to be recessed into the floor to create a flat transfer surface. Add bedding compound to fully support bottom of shower base. MTI's optional Pre-Leveled Foam Base requires no additional bedding compound or support. See installation instructions. Measurements are $\pm 1/2"$ and are subject to change without notice. Data herein supersedes all previous prior to publication date indicated below.