



Addison 5 features an integrated slotted overflow.

Addison 5

58" x 30" x 20.625"

GENERAL SPECIFICATIONS:

Material - Engineered Solid Stone (ESS™)

Installation - Freestanding

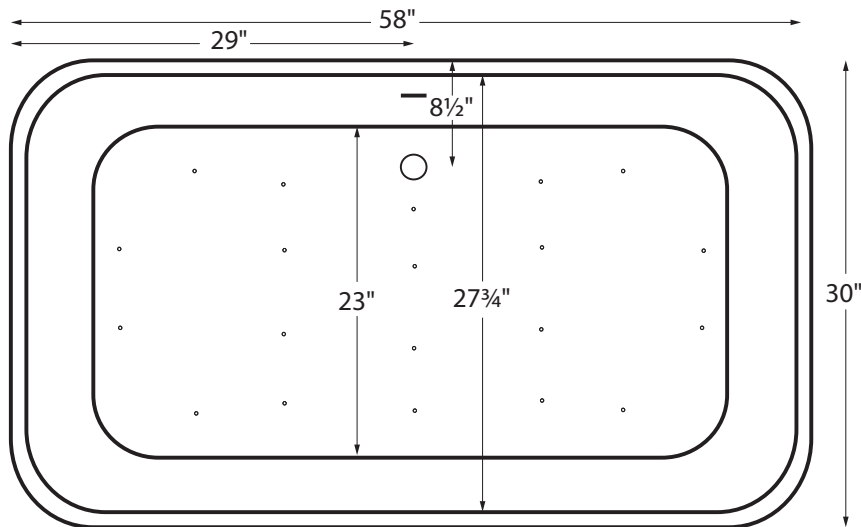
May also be undermounted. Must specify on order.
Not recommended as a tub / shower combination.

Soaker Weight - 240 lbs / 109 kg

Air Bath Weight - 270 lbs / 122 kg

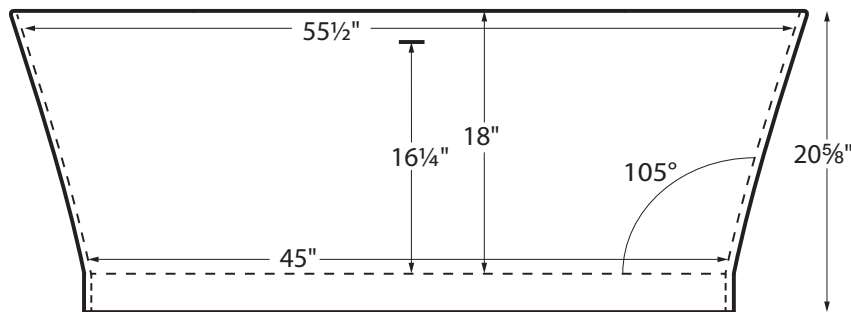
Maximum Fill - 85 gal to overflow

NOTE: Filling this tub to the maximum may require an above average size or dedicated water heater.



SEE IMPORTANT ORDERING & INSTALLATION INFORMATION BELOW

Shown above as an Air Bath.



ELECTRICAL SPECIFICATIONS:

Required Electrical Service

110 Volt

Air Bath

1-15 amp GFCI

CSA Certified C/US; ANSI Z124.1

See the "Boutique Collection Tubs Installation & Operation Manual" included with tub delivery or go to mtibaths.com/support/installation_operation/manuals for all the information necessary to install and operate the tub.

MTI's Customer Service Department is available Monday-Friday 8am-6pm EST at 800-783-8827 or customerservice@mtibaths.com to answer any questions pertaining to ordering or installation.

IMPORTANT ORDERING & INSTALLATION INFORMATION:

- Standard height is 20⁵/₈" for soaker or air bath. Height can be reduced to 19¹/₂" for soakers only. Must specify on order.
- Includes an integrated slotted overflow, which only requires drain installation. May also be specified without an overflow (see local codes).
- Air baths require job site preparations for remote mounting the blower and required check valve. Check valve must be installed higher than the rim of the tub. The keypad is shipped loose and may be mounted on a nearby wall or decking. A waterproof remote control is also included. Please read installation manual prior to ordering.
- Measurements are ± 1/2" and are subject to change without notice.
- Options and accessories are packaged inside the tub crate for delivery.
- Data herein supersedes all prior to publication date shown below.

Hydrotherapy Packages	Package Contents	Part #	MSRP
Soaker	Soaking bath - no jets. Includes an integrated slotted overflow with a toe-tap drain kit in chrome finish. <i>Notes:</i> • Standard soaker height is 20%", but can be reduced as low as 19½". Must specify on order. • See "Important Ordering & Installation Information" on previous page. • Please see installation manual for important drain installation details.	S223	\$6,380
Air Bath	20 air jets, heated air blower, keypad, waterproof remote control, integrated slotted overflow with a toe-tap drain kit in chrome finish. <i>Notes:</i> • See "Important Ordering & Installation Information" on previous page. • Blower & required check valve must be remote mounted. Check valve must be installed higher than the rim of the tub. • Please see installation manual for important drain installation details.	AST223	\$10,180

Lead Time - 10 business days; soaker or air bath.

Standard Options	<i>Note: part codes for all options listed in parenthesis</i>
Standard Colors: White or Biscuit, matte finish	
Optional Finish Upcharge: White or Biscuit, gloss finish (SSGLOSS) \$595	
Additional colors available for projects only. Please call MTI.	
Quick Ship - reduces lead time - please call for availability (QSPRI2) \$700	
Accessories and Hardware for All Packages	
Floor-Mounted High-Flow Tub Filler - two designs available - see p. A-61	
Contemporary - Chrome (FILLC) \$1,900 ; Brushed Nickel (FILLBN) \$2,050	
Traditional - Chrome (FILLTC) \$1,900 ; Brushed Nickel (FILLTBN) \$2,050	
Faucet Stand - Available in multiple sizes & styles - from \$910 see pp. A-62-63	
Bathroom Table (TABLE) \$930 color matched with tub - see p. A-63	
ESS Tub Tray - color / finish matched with tub - see p. A-64	
Solid (SSTRAY1), Solid with Stemware Holder (SSTRAY2) \$425	
Teak Tub Tray - Slatted (TK-TRAY1), Solid (TK-TRAY2) \$395 see p. A-65	
Teak Bath Mat (TK-MAT3018) \$395 custom sizes also available see p. A-65	
Toe-Tap Drain	PVC drain - Chrome (included with tub) White upcharge* (WIOW) add \$30 Brushed Nickel upcharge* (WIOBN) add \$30 Polished Nickel upcharge* (WIOPN) add \$30 Oil-Rubbed Bronze upcharge* (WIOOR) add \$90 Special Finish upcharge* (WIOSF) add \$285 Solid-Brass Drain Shoe (DKSB) \$90 In addition to finish charge listed above.
*NOTES REGARDING DRAIN KITS:	
• This tub includes a PVC toe-tap drain in chrome finish, unless otherwise specified.	
• Above pricing represents finish upcharge only. Contact MTI for pricing when drain is ordered separately.	
• Oil Rubbed Bronze finishes vary from manufacturer to manufacturer. MTI has selected a finish that is compatible with many available.	
• For "Special Finish", must send MTI a finish sample to color match.	

Options Information	
Floor-Mounted High-Flow Tub Filler - Choose from contemporary or traditional design to complement most manufacturers' lavatory & shower faucets. Fill rate of 15 gallons per minute at 45 psi. Includes a hand-held shower with independent valve. <i>See p. A-61 for detailed specifications.</i>	
Faucet Stand - Constructed of Engineered Solid Stone material. Taller models allow for wall-mount faucets and shorter versions (as shown at right) accommodate a Roman faucet. Available in multiple sizes & styles. <i>See pp. A-62-63 for detailed specifications.</i>	
Bathroom Table - Constructed of Engineered Solid Stone material. Ideal for placement of bathroom accessories. <i>See p. A-63 for detailed specifications.</i>	
Tub Tray - Ideal surface for holding a book, beverage or bath accessories. Four models are available; choose from ESS or teak. <i>See pp. A-64-65 for detailed specifications.</i>	
Integrated Slotted Overflow with Toe-Tap Drain - Toe-Tap drain included in chrome finish. Tub features a factory-installed integrated slotted overflow which does not require any decorative trim.	



Inside view of tub.

Matching Lavatory Sinks



Addison MTCS-739 from \$955



Addison SR (semi-recessed) MTCS-740 from \$955

For more information about Engineered Solid Stone lavatory sinks, please visit mtibaths.com or see section "F" in the MTI binder.