



Lily

60.25" x 32" x 20.75" / 25.5"

GENERAL SPECIFICATIONS:

Material - Engineered Solid Stone (ESS™)

Installation - Freestanding

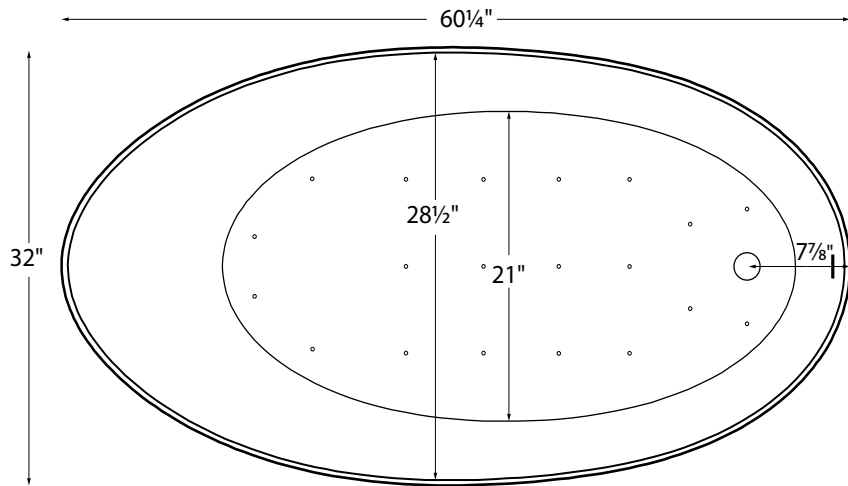
Not recommended as a tub / shower combination.

Soaker Weight - 215 lbs / 98 kg

Air Bath Weight - 240 lbs / 109 kg

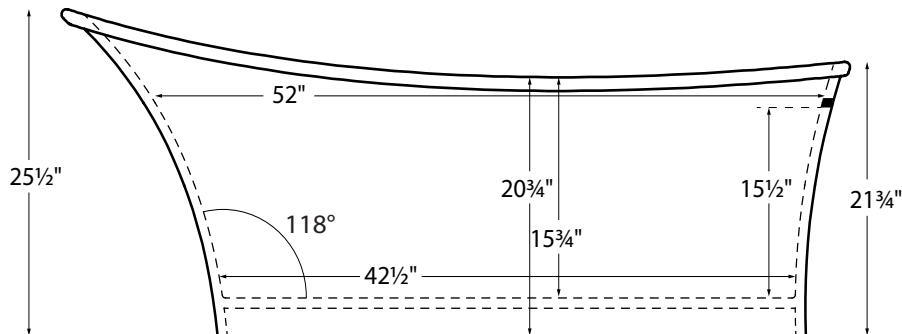
Maximum Fill - 53 gal to overflow

NOTE: Filling this tub to the maximum may require an above average size or dedicated water heater.



SEE IMPORTANT ORDERING & INSTALLATION INFORMATION BELOW

Shown above as an Air Bath.



ELECTRICAL SPECIFICATIONS:

Required Electrical Service 110 Volt
Air Bath 1-15 amp GFCI

CSA Certified C/US; ANSI Z124.1

See the "Boutique Collection Tubs Installation & Operation Manual" included with tub delivery or go to mtibaths.com/support/installation_operation/manuals for all the information necessary to install and operate the tub.

MTI's Customer Service Department is available Monday-Friday 8am-6pm EST at 800-783-8827 or customerservice@mtibaths.com to answer any questions pertaining to ordering or installation.

IMPORTANT ORDERING & INSTALLATION INFORMATION:

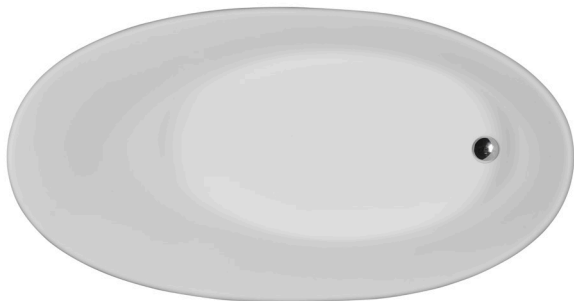
- Includes an integrated slotted overflow, which only requires drain installation. May also be specified without an overflow (see local codes).
- Air baths require job site preparations for remote mounting the blower and required check valve. Check valve must be installed higher than the rim of the tub. A sleeve for air hose and blower wiring must be laid under finished flooring. The keypad is shipped loose and may be mounted on a nearby wall or decking. A waterproof remote control is also included. Please read installation manual prior to ordering.
- Requires use of a wall-mounted or freestanding tub filler.
- Measurements are $\pm 1/2$ " and are subject to change without notice.
- Options and accessories are packaged inside the tub crate for delivery.
- Data herein supersedes all prior to publication date shown below.

Hydrotherapy Packages	Package Contents	Part #	MSRP
Soaker	Soaking bath - no jets Includes a decorative toe-tap drain kit in chrome finish. <i>Notes:</i> • See "Important Ordering & Installation Information" on previous page. • Please see installation manual for important drain installation details.	S227	\$6,380
Air Bath	20 air jets, heated air blower, keypad, waterproof remote control, decorative toe-tap drain kit in chrome finish. <i>Notes:</i> • See "Important Ordering & Installation Information" on previous page. • Blower & required check valve must be remote mounted. Check valve must be installed higher than the rim of the tub. • Please see installation manual for important drain installation details.	AST227	\$10,180

Lead Time - 10 business days.

Standard Options	Note: part codes for all options listed in parenthesis
Standard Colors: White or Biscuit, matte finish	
Optional Finish Upcharge: White or Biscuit, gloss finish (SSGLOSS) \$595 Additional colors available for projects only. Please call MTI.	
Quick Ship - reduces lead time - please call for availability (QSPRI2) \$700	
Accessories and Hardware for All Packages	
Floor-Mounted High-Flow Tub Filler - two designs available - see p. A-61 Contemporary - Chrome (FILLC) \$1,900 ; Brushed Nickel (FILLBN) \$2,050 Traditional - Chrome (FILLTC) \$1,900 ; Brushed Nickel (FILLTBN) \$2,050	
Faucet Stand - Available in multiple sizes & styles - from \$910 see pp. A-62-63	
Bathroom Table (TABLE) \$930 color matched with tub - see p. A-63	
ESS Tub Tray - color / finish matched with tub - see p. A-64 Solid (SSTRAY1), Solid with Stemware Holder (SSTRAY2) \$425	
Teak Tub Tray - Slatted (TK-TRAY1), Solid (TK-TRAY2) \$395 see p. A-65	
Teak Bath Mat (TK-MAT3018) \$395 custom sizes also available see p. A-65	
Toe-Tap Drain	PVC drain - Chrome (included with tub) White upcharge* (WIOW) add \$30 Brushed Nickel upcharge* (WIOBN) add \$30 Polished Nickel upcharge* (WIOPN) add \$30 Oil-Rubbed Bronze upcharge* (WIOOR) add \$90 Special Finish upcharge* (WIOSF) add \$285 Brass Tailpiece (WIOBS) \$35 In addition to finish charge listed above.
*NOTES REGARDING DRAIN KITS: • This tub includes a toe-tap drain in chrome finish, unless otherwise specified. • Above pricing represents finish upcharge only. Contact MTI for pricing when drain is ordered separately. • For "Special Finish", must send MTI a finish sample to color match.	

Options Information
<p>Floor-Mounted High-Flow Tub Filler - Choose from contemporary or traditional design to complement most manufacturers' lavatory & shower faucets. Fill rate of 15 gallons per minute at 45 psi. Includes a hand-held shower with independent valve. See p. A-61 for detailed specifications.</p> 
<p>Faucet Stand - Constructed of Engineered Solid Stone material. Taller models allow for wall-mount faucets and shorter versions (as shown at right) accommodate a Roman faucet. Available in multiple sizes & styles. See pp. A-62-63 for detailed specifications.</p> 
<p>Bathroom Table - Constructed of Engineered Solid Stone material. Ideal for placement of bathroom accessories. See p. A-63 for detailed specifications.</p> 
<p>Tub Tray - Ideal surface for holding a book, beverage or bath accessories. Four models are available; choose from ESS or teak. See pp. A-64-65 for detailed specifications.</p> 
<p>Integrated Slotted Overflow with Toe-Tap Drain - Toe-Tap drain included in chrome finish. Tub features a factory-installed integrated slotted overflow which does not require any decorative trim.</p> 



Inside view of tub.



Alternate view of tub.